



FCIconnect.com

Copyright FCI.

List of "SFW__R-1/2STE1LF" customer document

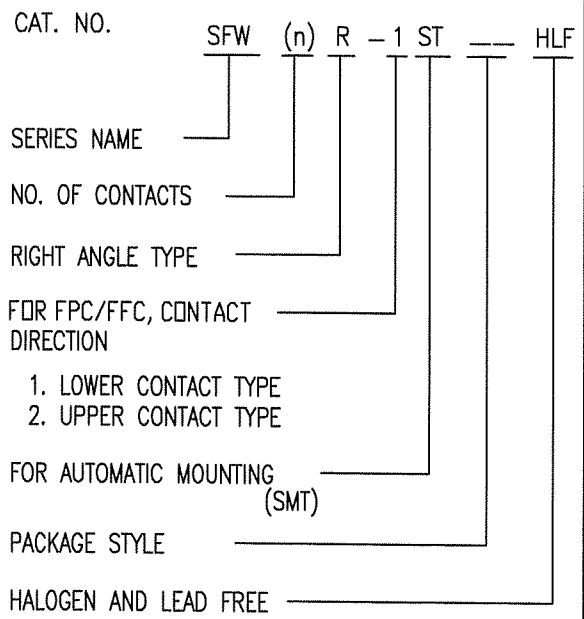
DOCUMENT NO.	LIST
GS-12-682	SPEC.
10116434 Sheet2	CAT.NO.TABLE FOR 1mm SPACING SMT CONNECTOR (SFW__R-1/2ST__HLF)
10116434 Sheet3	1mm SPACING SMT CONNECTOR (SFW__R-1ST__HLF)
10116434 Sheet4	1mm SPACING SMT CONNECTOR (SFW__R-2ST__HLF)
10116434 Sheet5	CAT.NO.TABLE FOR PLASTIC TAPE PACKAGED 1mm SPACING SMT CONNECTOR (SFW__R-1/2STE1HLF)
10116434 Sheet6	PLASTIC TAPE PACKAGED 1mm SPACING SMT CONNECTOR (SFW__R-1STE1HLF)
10116434 Sheet7	PLASTIC TAPE PACKAGED 1mm SPACING SMT CONNECTOR (SFW__R-2STE1HLF)
10116434 Sheet8	RECOMMENDED CABLE (FPC) (SFW__R-1/2ST__)
10116434 Sheet9	RECOMMENDED CABLE (FFC) (SFW__R-1/2ST__)
GS-20-129	HANDLING PROCEDURES

mat'l. code -		surface 58 / ISO 1302		tolerance ISO 406 / ISO 1101		projection		product family 58RF		CODE JP	
ltr A		ecn no J10-0337		dr S.W		date 2010-11-19		title		1mm SPACING FPC/FFC CONNECTOR DOCUMENT LIST (Cat. No. : SFW__R-1/2STE1HLF)	
angles		linear		mm		scale		dwg no 10116434		sheet 1 of 9 size A4	
sheet index		revision sheet		dr S. W. White		2010-11-19		FCI		type Product Customer Drawing	
1		2		3		4		5		6	
7		8		9		10		11		12	
Rev. A											

form: A4

CAT. NO. & DIMENSIONS

NO. OF CONTACTS (n)	CAT. NO.	DIMENSIONS (NOTE2)			
		A ± 0.2	B ± 0.2	C ± 0.2	D ± 0.1
4	SFW4R-1/2ST__HLF	9.8	8.6	3.0	5.3
5	SFW5R-1/2ST__HLF	10.8	9.6	4.0	6.3
6	SFW6R-1/2ST__HLF	11.8	10.6	5.0	7.3
7	SFW7R-1/2ST__HLF	12.8	11.6	6.0	8.3
8	SFW8R-1/2ST__HLF	13.8	12.6	7.0	9.3
9	SFW9R-1/2ST__HLF	14.8	13.6	8.0	10.3
10	SFW10R-1/2ST__HLF	15.8	14.6	9.0	11.3
11	SFW11R-1/2ST__HLF	16.8	15.6	10.0	12.3
12	SFW12R-1/2ST__HLF	17.8	16.6	11.0	13.3
13	SFW13R-1/2ST__HLF	18.8	17.6	12.0	14.3
14	SFW14R-1/2ST__HLF	19.8	18.6	13.0	15.3
15	SFW15R-1/2ST__HLF	20.8	19.6	14.0	16.3
16	SFW16R-1/2ST__HLF	21.8	20.6	15.0	17.3
17	SFW17R-1/2ST__HLF	22.8	21.6	16.0	18.3
18	SFW18R-1/2ST__HLF	23.8	22.6	17.0	19.3
19	SFW19R-1/2ST__HLF	24.8	23.6	18.0	20.3
20	SFW20R-1/2ST__HLF	25.8	24.6	19.0	21.3
21	SFW21R-1/2ST__HLF	26.8	25.6	20.0	22.3
22	SFW22R-1/2ST__HLF	27.8	26.6	21.0	23.3
23	SFW23R-1/2ST__HLF	28.8	27.6	22.0	24.3
24	SFW24R-1/2ST__HLF	29.8	28.6	23.0	25.3
25	SFW25R-1/2ST__HLF	30.8	29.6	24.0	26.3
26	SFW26R-1/2ST__HLF	31.8	30.6	25.0	27.3
27	SFW27R-1/2ST__HLF	32.8	31.6	26.0	28.3
28	SFW28R-1/2ST__HLF	33.8	32.6	27.0	29.3
29	SFW29R-1/2ST__HLF	34.8	33.6	28.0	30.3
30	SFW30R-1/2ST__HLF	35.8	34.6	29.0	31.3



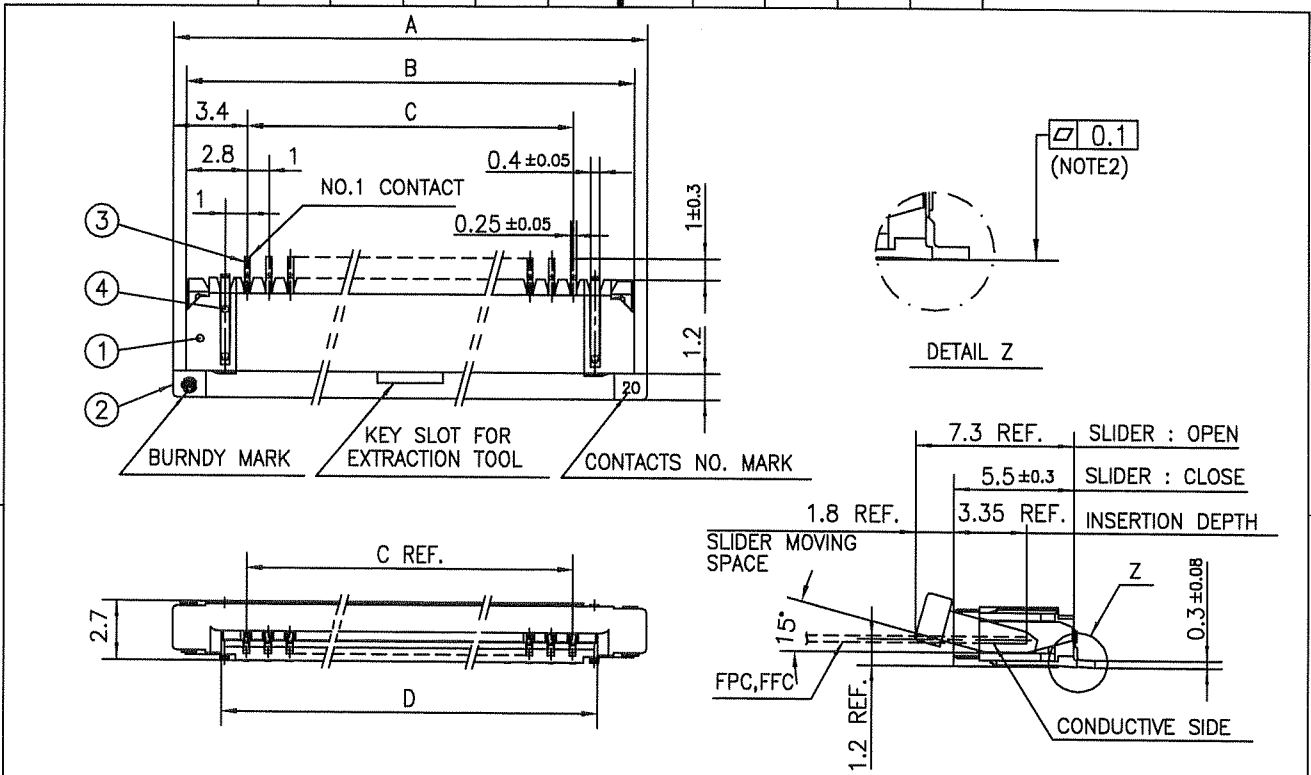
NOTES

1. THIS PRODUCT IS THE CONNECTOR USED FOR FPC/FFC AND COPES WITH AUTOMATIC MOUNTING (SMT).
2. SEE PART DRAWINGS FOR DIMENSIONS A~D.

FCJ
FCIconnect.com

Copyright FCJ

mat'l. code				surface 5B / ISO 1302		tolerance ISO 406 ISO 1101		projection		product family 58RF		CODE JP	
ltr A	ecn no	dr	date	tolerances, unless otherwise specified				mm		title CAT. NO. TABLE FOR 1mm SPACING SMT CONNECTOR (Cat. No. SFW__R-1/2ST__HLF)			
			angles	linear		scale \times		dwg no		sheet 2 of 9		size	
			dr	<i>S. Mithala</i> 2010-11-19				10116434				A4	
			enrg	<i>S. Mithala</i> 2010-11-19				type		Product Customer Drawing			
			chr	<i>Maganao</i> 2010-11-19									
			appd	<i>McGraw</i> 2010-11-19									
sheet index		revision sheet										Rev. A	



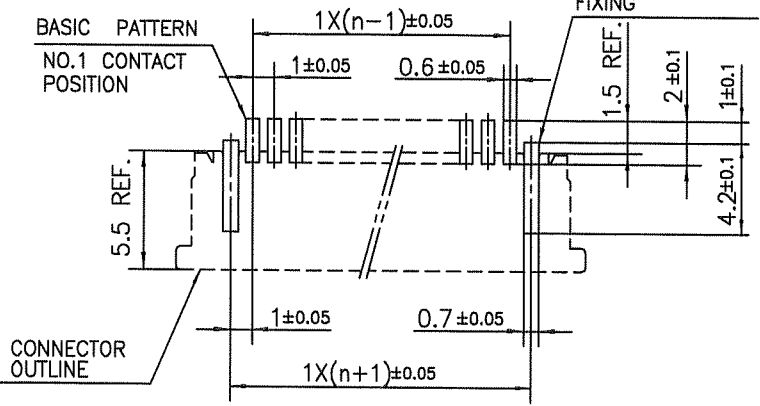
PT. NO.	PARTS NAME	MATERIAL	Q'TY	NOTE
1	HOUSING	PPS RESIN GLASS REINFORCED (UL94V-0)	1	COLOR : BLACK (HALOGEN FREE)
2	SLIDER		1	COLOR : BLACK (HALOGEN FREE)
3	CONTACT	PHOSPHOR BRONZE	n	PLATING : TIN
4	MOUNTING PLATE		2	

n : NO. OF CONTACTS

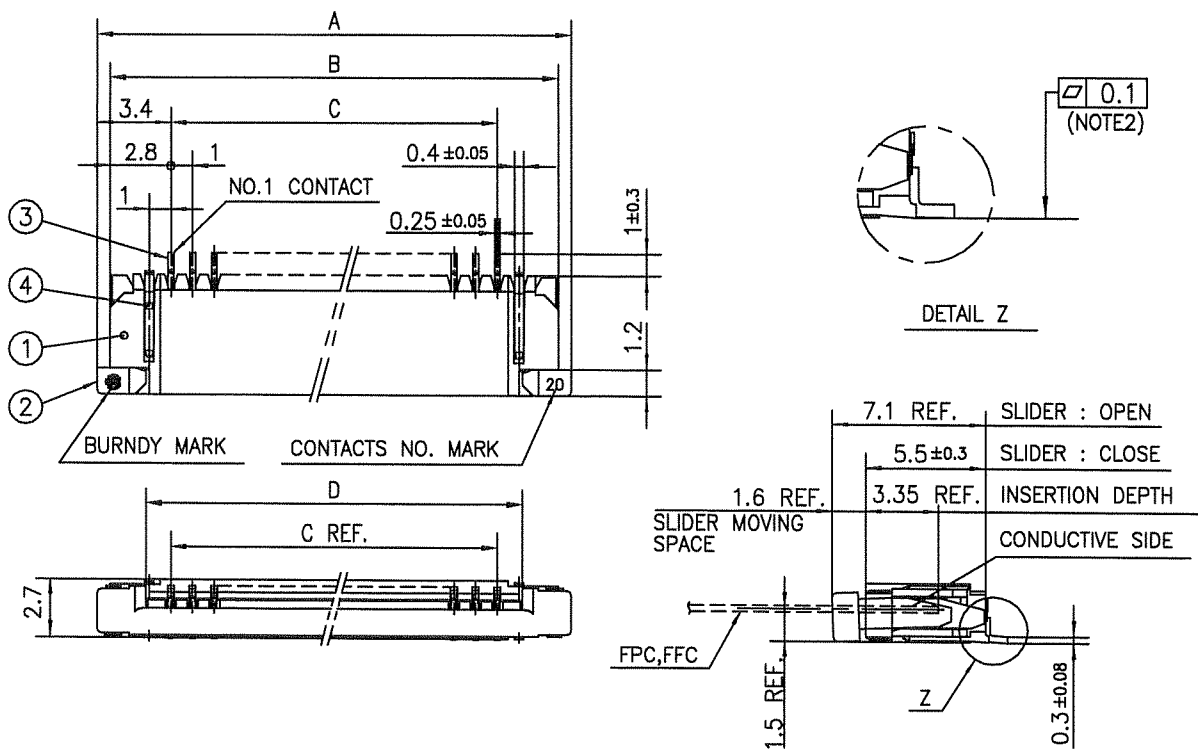
NOTES

1. THIS PRODUCT IS THE CONNECTOR USED FOR FPC/FFC AND COPEs WITH AUTOMATIC MOUNTING (SMT).
2. FLATNESS FOR CONTACT TERMINAL HOUSING MUST BE WITHIN TOLERANCE IN Z PORTION DETAILED DRAWING.
3. THIS PRODUCT IS LOWER CONTACT TYPE CONNECTOR.
4. THIS PRODUCT MEETS EUROPEAN UNION DIRECTIVES AND OTHER COUNTRY REGULATIONS AS DESCRIBED IN GS-22-008
5. THE HOUSING WILL WITHSTAND EXPOSURE TO 260°C PEAK TEMPERATURE FOR 10 SECONDS IN A REFLOW SOLDERING OVEN.

RECOMMENDED PC BOARD LAYOUT (COMPONENT SIDE)



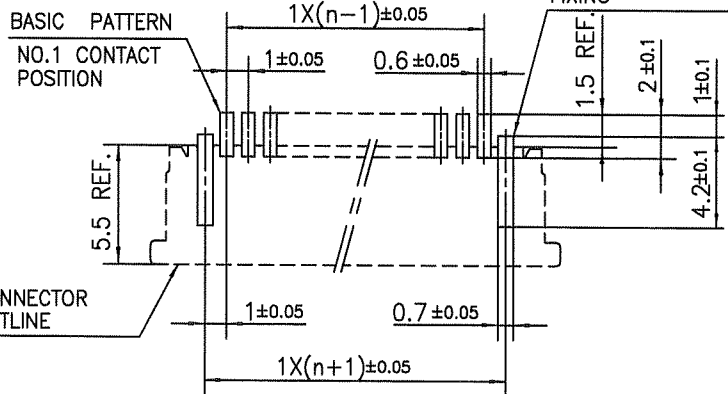
mat'l. code		surface 58 / ISO 1302		tolerance ISO 406 / ISO 1101		projection		product family 58RF		CODE JP	
ltr A		ecn no		dr		date		title		1mm SPACING SMT CONNECTOR (Cat. No. SFW__R-1ST__HLF)	
angles		linear		±0.2		mm		scale		X	
dr		S. Wicks		2010-11-19		engr		S. Wicks		2010-11-19	
chr		S. Wicks		2010-11-19		appd		M. Wicks		Nov 19/10	
sheet index		revision sheet						dwg no 10116434		sheet 3 of 9 size A4	
								type Product Customer Drawing		Rev. A	



PT. NO.	PARTS NAME	MATERIAL	Q'TY	NOTE
1	HOUSING	PPS RESIN GLASS REINFORCED (UL94V-0)	1	COLOR : BLACK (HALOGEN FREE)
2	SLIDER		1	COLOR : BLACK (HALOGEN FREE)
3	CONTACT	PHOSPHOR BRONZE	n	PLATING : TIN
4	MOUNTING PLATE		2	

n : NO. OF CONTACTS

RECOMMENDED PC BOARD LAYOUT (COMPONENT SIDE)



NOTES

- THIS PRODUCT IS THE CONNECTOR USED FOR FPC/FFC AND COPES WITH AUTOMATIC MOUNTING (SMT).
- FLATNESS FOR CONTACT TERMINAL HOUSING MUST BE WITHIN TOLERANCE IN Z PORTION DETAILED DRAWING.
- THIS PRODUCT IS UPPER CONTACT TYPE CONNECTOR.
- THIS PRODUCT MEETS EUROPEAN UNION DIRECTIVES AND OTHER COUNTRY REGULATIONS AS DESCRIBED IN GS-22-008
- THE HOUSING WILL WITHSTAND EXPOSURE TO 260°C PEAK TEMPERATURE FOR 10 SECONDS IN A REFLOW SOLDERING OVEN.

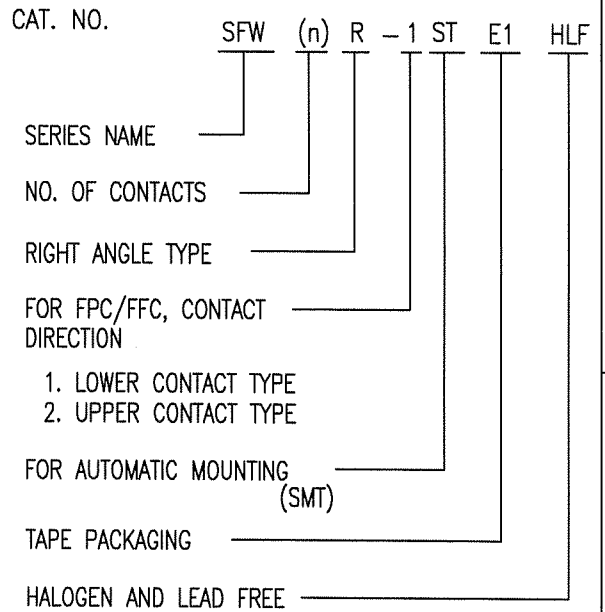
mat'l. code		surface 58 / tolerance ISO 1302 ✓ ISO 406 ISO 1101		projection		product family 58RF		CODE JP	
ltr A		ecn no		dr		date		title	
								1mm SPACING SMT CONNECTOR (Cat. No. SFW__R-2ST__HLF)	
		angles linear		±0.2		mm		scale X	
		dr		S. Withler		2010-11-19		dwg no sheet 4 of 9 size	
		enrg		S. Withler		2010-11-19		10116434 A4	
		chr		S. Withler		2010-11-19		type Product Customer Drawing	
		appd		M. Withler		NOV10			
sheet index		revision sheet						Rev. A	



Copyright FCI

CAT. NO. & DIMENSIONS

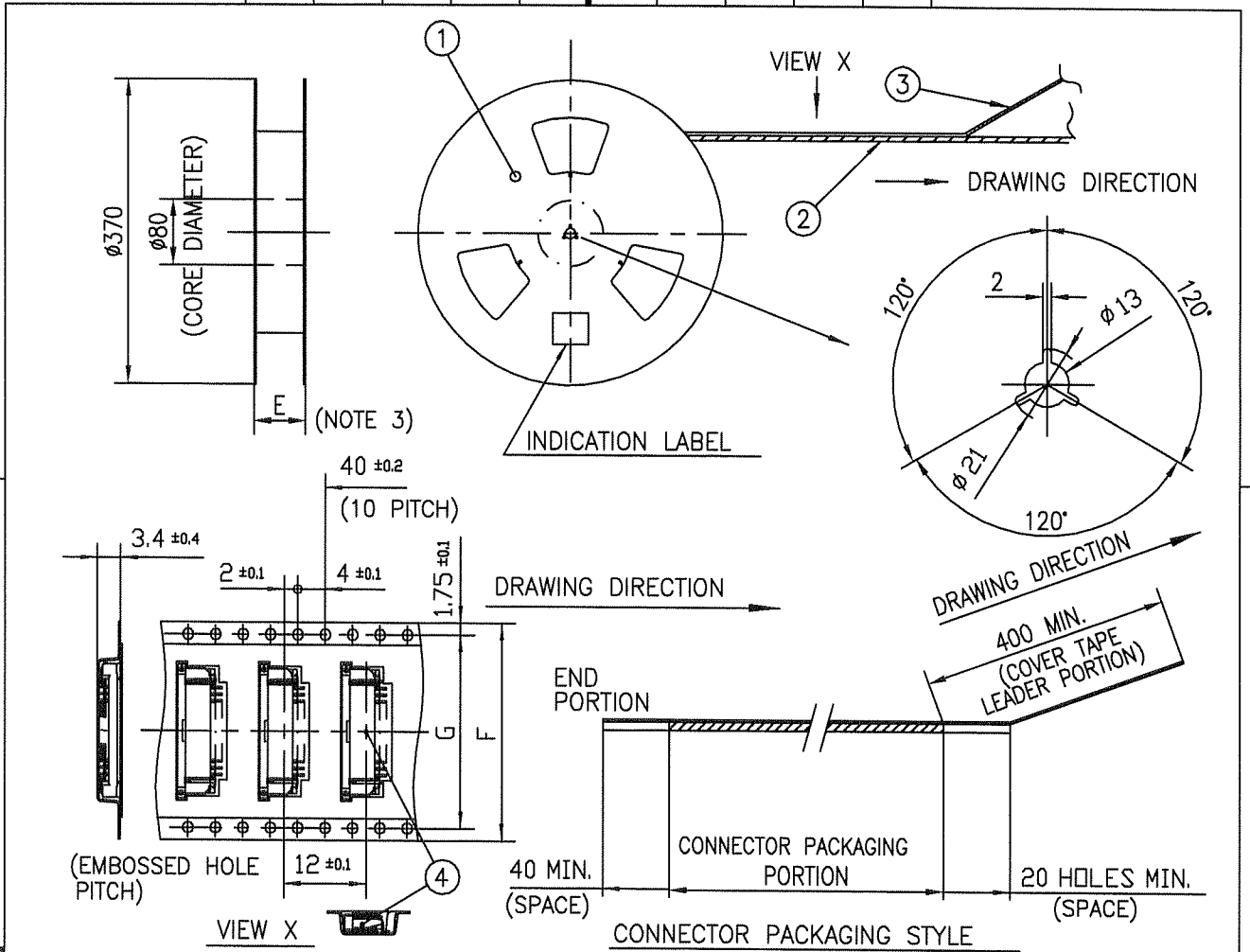
NO. OF CONTACTS (n)	CAT. NO. (NOTE2)	DIMENSIONS (NOTE3)		
		E ± 5	F ± 0.3	G ± 0.1
4	SFW4R-1/2STE1HLF	20.4	16	—
5	SFW5R-1/2STE1HLF	28.4	24	—
6	SFW6R-1/2STE1HLF	28.4	24	—
7	SFW7R-1/2STE1HLF	28.4	24	—
8	SFW8R-1/2STE1HLF	28.4	24	—
9	SFW9R-1/2STE1HLF	28.4	24	—
10	SFW10R-1/2STE1HLF	28.4	24	—
11	SFW11R-1/2STE1HLF	28.4	24	—
12	SFW12R-1/2STE1HLF	28.4	24	—
13	SFW13R-1/2STE1HLF	36.4	32	28.4
14	SFW14R-1/2STE1HLF	36.4	32	28.4
15	SFW15R-1/2STE1HLF	36.4	32	28.4
16	SFW16R-1/2STE1HLF	36.4	32	28.4
17	SFW17R-1/2STE1HLF	48.4	44	40.4
18	SFW18R-1/2STE1HLF	48.4	44	40.4
19	SFW19R-1/2STE1HLF	48.4	44	40.4
20	SFW20R-1/2STE1HLF	48.4	44	40.4
21	SFW21R-1/2STE1HLF	48.4	44	40.4
22	SFW22R-1/2STE1HLF	48.4	44	40.4
23	SFW23R-1/2STE1HLF	48.4	44	40.4
24	SFW24R-1/2STE1HLF	48.4	44	40.4
25	SFW25R-1/2STE1HLF	48.4	44	40.4
26	SFW26R-1/2STE1HLF	48.4	44	40.4
27	SFW27R-1/2STE1HLF	48.4	44	40.4
28	SFW28R-1/2STE1HLF	60.4	56	52.4
29	SFW29R-1/2STE1HLF	60.4	56	52.4
30	SFW30R-1/2STE1HLF	60.4	56	52.4



NOTES

1. THIS PRODUCT IS THE CONNECTOR USED FOR FPC/FFC AND COPEs WITH AUTOMATIC MOUNTING (SMT).
2. THIS CATALOG NO. INDICATES PLASTIC TAPE PACKAGED CONNECTOR.
3. SEE PART DRAWINGS FOR DIMENSIONS E~G.

mat'l. code		surface 58 / tolerance ISO 1302 ✓ ISO 406 ISO 1101		projection		product family 58RF		CODE JP	
ltr		ecn no		dr		date		title	
A								CAT. NO. TABLE FOR PLASTIC TAPE PACKAGED 1mm SPACING SMT CONNECTOR (Cat. No. SFW__R-1/2STE1HLF)	
		angles		linear		mm		scale X	
		dr		S. Kishino		2010-11-19		dwg no sheet 5 of 9 size	
		enr		S. Kishino		2010-11-19		10116434 A4	
		chr		S. Kishino		2010-11-19		type Product Customer Drawing	
		appd		M. G. ...		Nov 9/10			
sheet index		revision sheet						Rev. A	

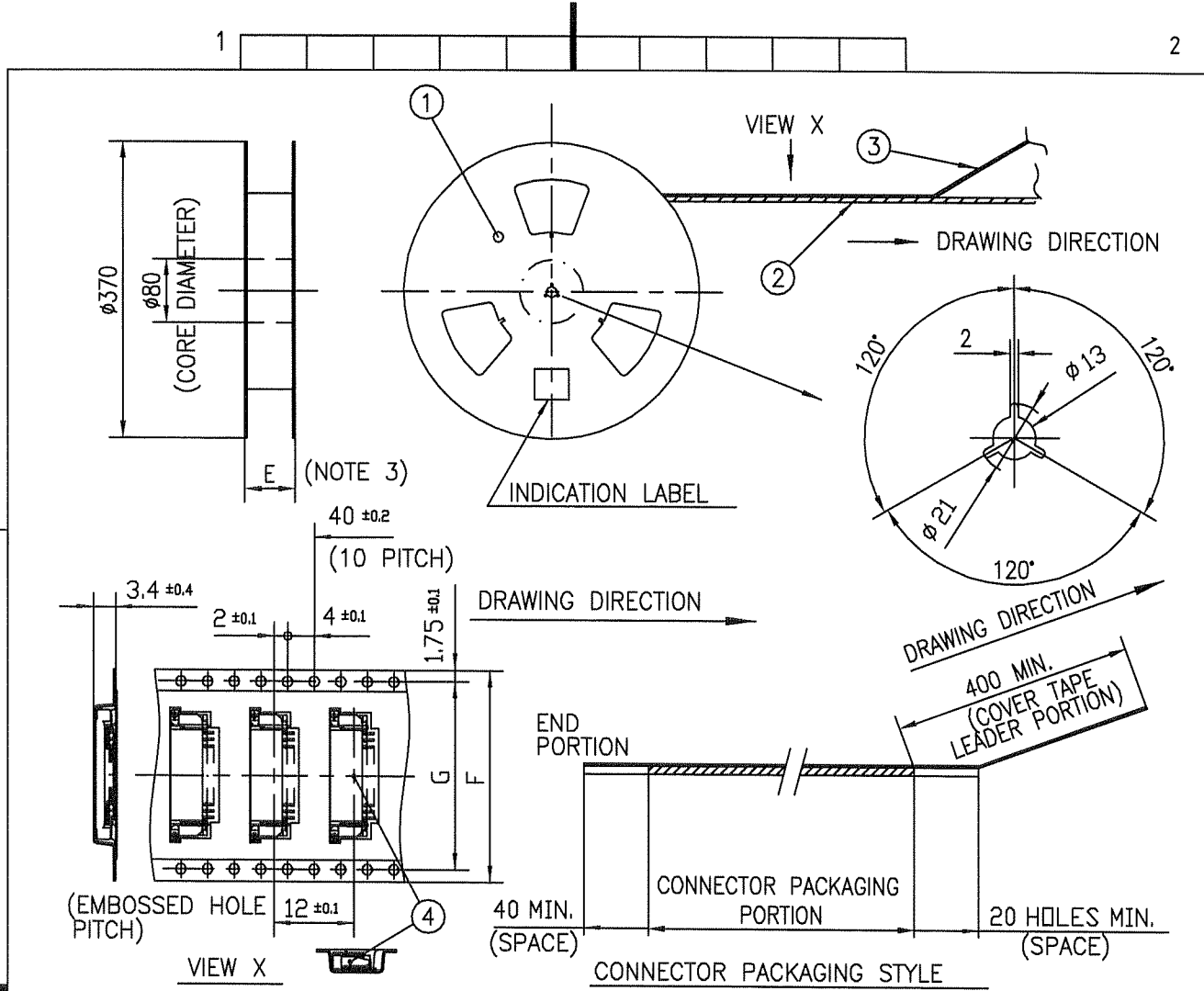


PT. NO.	PARTS NAME	CAT. NO.	MATERIAL	Q'TY	NOTE
1	REEL	—	CARDBOARD	1	COLOR:WHITE/GREY
2	PLASTIC (EMBOSS) TAPE	—	PET	—	COLOR:TRANSPARENCY
3	COVER	—	POLYESTER	—	COLOR:TRANSPARENCY
4	CONNECTOR	SFW__R-1ST__HLF	SEE ATTACHED DWG.	2000	LOWER CONTACT TYPE

NOTES

- THIS IS PLASTIC TAPE PACKAGED CONNECTOR USED FOR FPC/FFC AND COPES WITH AUTOMATIC MOUNTING (SMT).
- SEE JIS C 0806 (PACKING OF ELECTRONIC COMPONENTS ON CONTINUOUS TAPES (SURFACE MOUNTING DEVICES)) FOR SHAPE AND DIMENSIONS OF PLASTIC (EMBOSS) TAPE AND REEL.
- E DIMENSION IS PORTION OF THE CORE.

mat'l. code		surface 58 / tolerance ISO 1302 ✓ ISO 406 ISO 1101		projection		product family 58RF		CODE JP	
ltr		ecn no		dr		date		title	
A								PLASTIC TAPE PACKAGED 1mm SPACING SMT CONNECTOR (Cat. No. SFW__R-1STE1HLF)	
		angles		linear		mm		scale	
		±5'				X			
		dr		S. Mital		2010-11-19		sheet 6 of 9 size	
		enrg		B. Mital		2010-11-19		10116434	
		chr		S. Mital		2010-11-19		A4	
		appd		MCM		Nov 16		type Product Customer Drawing	
sheet index		revision sheet						Rev. A	



PT. NO.	PARTS NAME	CAT. NO.	MATERIAL	Q'TY	NOTE
1	REEL	_____	CARDBOARD	1	COLOR:WHITE/GREY
2	PLASTIC (EMBOSS) TAPE	_____	PET	_____	COLOR:TRANSPARENCY
3	COVER	_____	POLYESTER	_____	COLOR:TRANSPARENCY
4	CONNECTOR	SFW__R-2ST__HLF	SEE ATTACHED DWG.	2000	UPPER CONTACT TYPE

NOTES

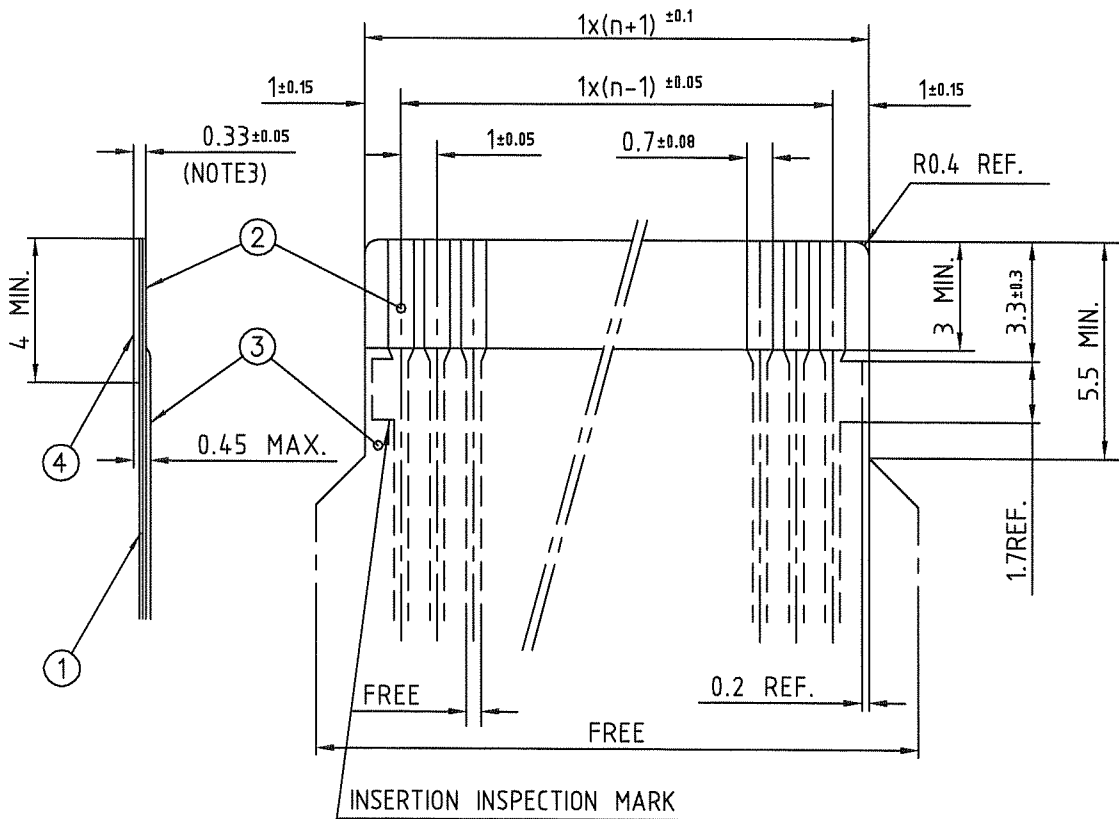
1. THIS IS PLASTIC TAPE PACKAGED CONNECTOR USED FOR FPC/FFC AND COPES WITH AUTOMATIC MOUNTING (SMT).
2. SEE JIS C 0806 (PACKING OF ELECTRONIC COMPONENTS ON CONTINUOUS TAPES (SURFACE MOUNTING DEVICES)) FOR SHAPE AND DIMENSIONS OF PLASTIC (EMBOSS) TAPE AND REEL.
3. E DIMENSION IS PORTION OF THE CORE.

mat'l. code		surface 58 / ISO 1302		tolerance ISO 406 / ISO 1101		projection		product family 58RF		CODE JP	
Ltr	ecn no	dr	date	tolerances unless otherwise specified		mm		title			
A				angles	linear	±5		PLASTIC TAPE PACKAGED 1mm SPACING SMT CONNECTOR (Cat. No. SFW__R-2STE1HLF)			
				±5°		scale		dwg no		sheet 7 of 9 size	
				dr	engr	chr	appd	10116434		A4	
sheet index		revision sheet						type Product Customer Drawing			

form: A4

RECOMMENDED CABLE (FPC)

n : NO. OF CONDUCTOR



PT. NO.	PARTS NAME	MATERIAL	THICKNESS (um)
1	BASE FILM	POLYIMIDE OR POLYESTER OR EQUAL	25
2	CONDUCTOR	COPPER FOIL(PLATING:SOLDER 1um MIN.)	35
3	OVERLAY	POLYIMIDE OR POLYESTER OR EQUAL	—
4	SUPPORTING TAPE	POLYESTER OR POLYIMIDE OR EQUAL	188

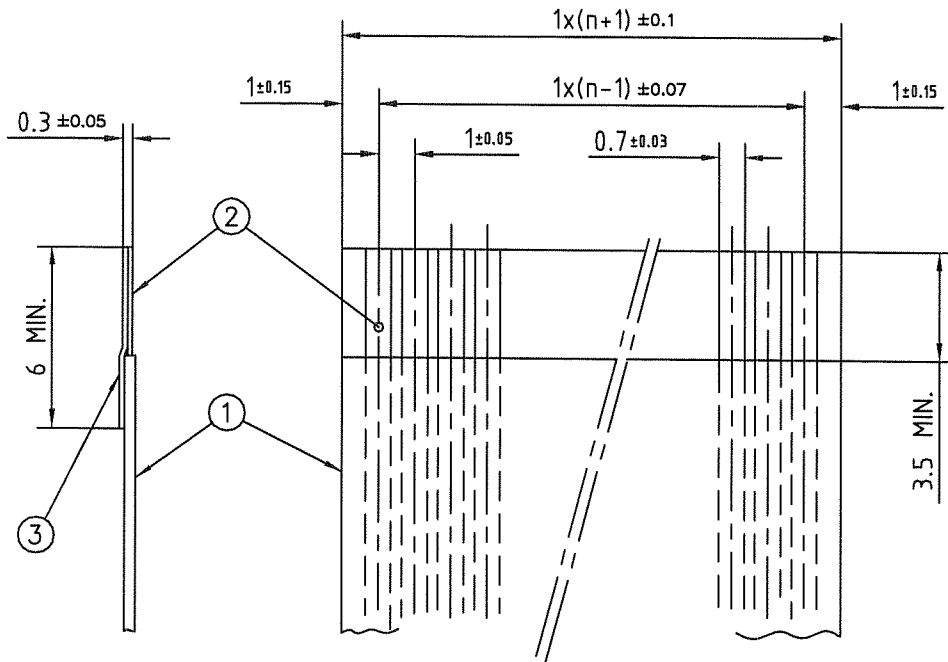
NOTES

1. NO BURR AT EACH PORTION.
2. NO PEELING IN COMMON USE.
3. TOTAL THICKNESS LIMIT OF EACH MATERIAL (INCLUDING ADHESIVE AGENT) IS SPECIFIED.

mat'l. code		surface 58 / tolerance ISO 1302		ISO 406 / ISO 1101		projection		product family 58RF		CODE JP	
ltr	ecn no	dr	date	tolerances unless otherwise specified		mm		title			
A				angles	linear	scale X		RECOMMENDED CABLE (Cat. No. SFW__R-1/2__)			
sheet index		revision sheet		dr	engr	chr	appd	dwg no		sheet 8 of 9 size	
				S. W. Tada	S. W. Tada			10116434		A4	
				2010-11-19	2010-11-19	2010-11-19		type Product Customer Drawing		Rev. A	

RECOMMENDED CABLE (FFC)

n : NO. OF CONDUCTOR



PT. NO.	PARTS NAME	MATERIAL	NOTE
1	INSULATOR	FLAME RESISTING POLYESTER OR EQUAL	_____
2	CONDUCTOR	COPPER FOIL	PLATING:TIN OR SOLDER 1um MIN.
3	SUPPORTING TAPE	FLAME RESISTING POLYESTER OR EQUAL	_____

NOTES

1. NO BURR AT EACH PORTION.
2. NO PEELING IN COMMON USE.

mat'l. code		surface 58 / tolerance ISO 1302 ✓ ISO 406 ISO 1101		projection		product family 58RF		CODE JP	
ltr A		ecn no		dr		date		title RECOMMENDED CABLE (Cat. No. SFW__R-1/2__)	
angles		linear		mm		scale X		dwg no 10116434	
dr		S. W. K. / 2010-11-19		engr		S. W. K. / 2010-11-19		sheet 9 of 9 size A4	
chr		F. S. S. / 2010-11-19		appd		M. M. / 2010/11/19		type Product Customer Drawing	
sheet index		revision sheet						Rev. A	