

PART NAME: KNOB

SCALE: 1:1

DATE: 10/18/94

DR. BY HD

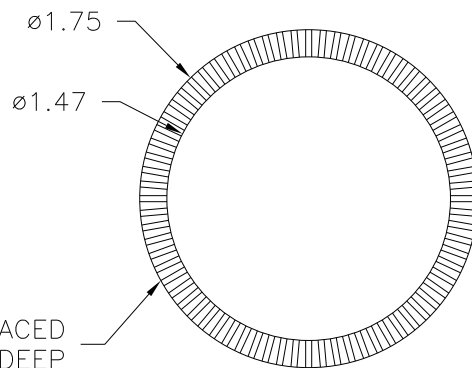
THIS DRAWING IS THE PROPERTY OF DAVIES MOLDING COMPANY, IS SUBMITTED SOLELY AS A DESIGN OR ENGINEERING PROJECT. WE ACCEPT NO RESPONSIBILITY WHATSOEVER FOR THE PRACTICAL APPLICATION OF THE PIECES MADE TO THIS DESIGN.



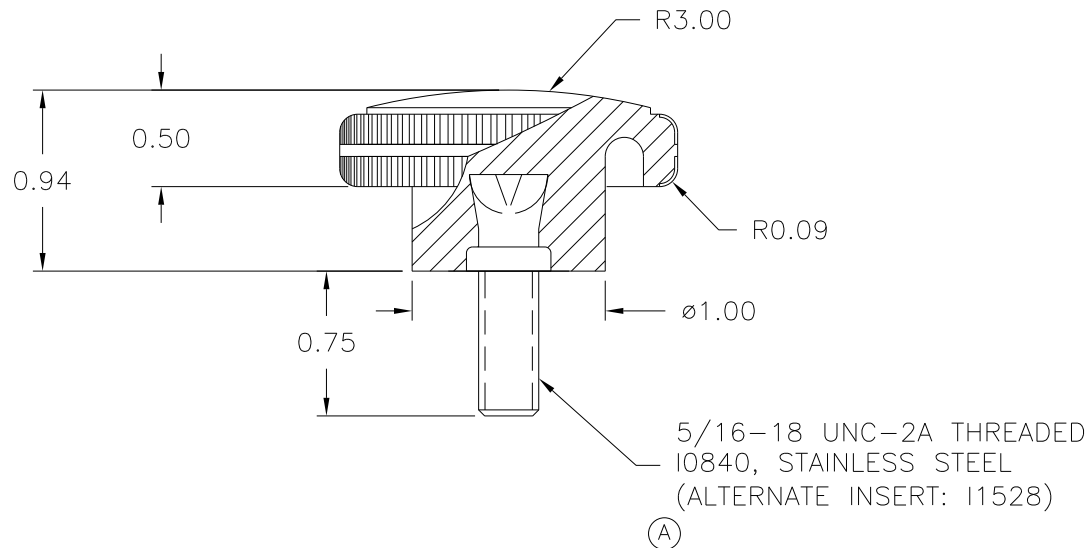
DESIGNERS & MANUFACTURERS OF KNOBS, HANDLES, CASES & CUSTOM PLASTIC COMPONENTS

P/N 3050EH

M ^{NO.}	3050
CAVITY	3050
PLUNGER	3050
PINS	3000-E
PIN BAR SHIM	.018
INSERT	I0840
(A) ALT. INSERT	I1528



72 KNURLS EQUALLY SPACED
0.03 WIDE X 0.02 DEEP



MATERIAL: G.P. PHENOLIC (B11)
COLOR: BLACK

TOLERANCES: UNLESS OTHERWISE SPECIFIED	DO NOT SCALE DRAWING			
DECIMALS: X.XXX ± .005 X.XX ± .015	MM: X.XX ± 0.15MM X.X ± 0.4MM	A	ADDED ALT. INSERT	JAM 8/9/13
FRACTIONS ± 1/64	ANG. ± 1°	-	REDRAWN	TL 9/1/99
CHANGES				