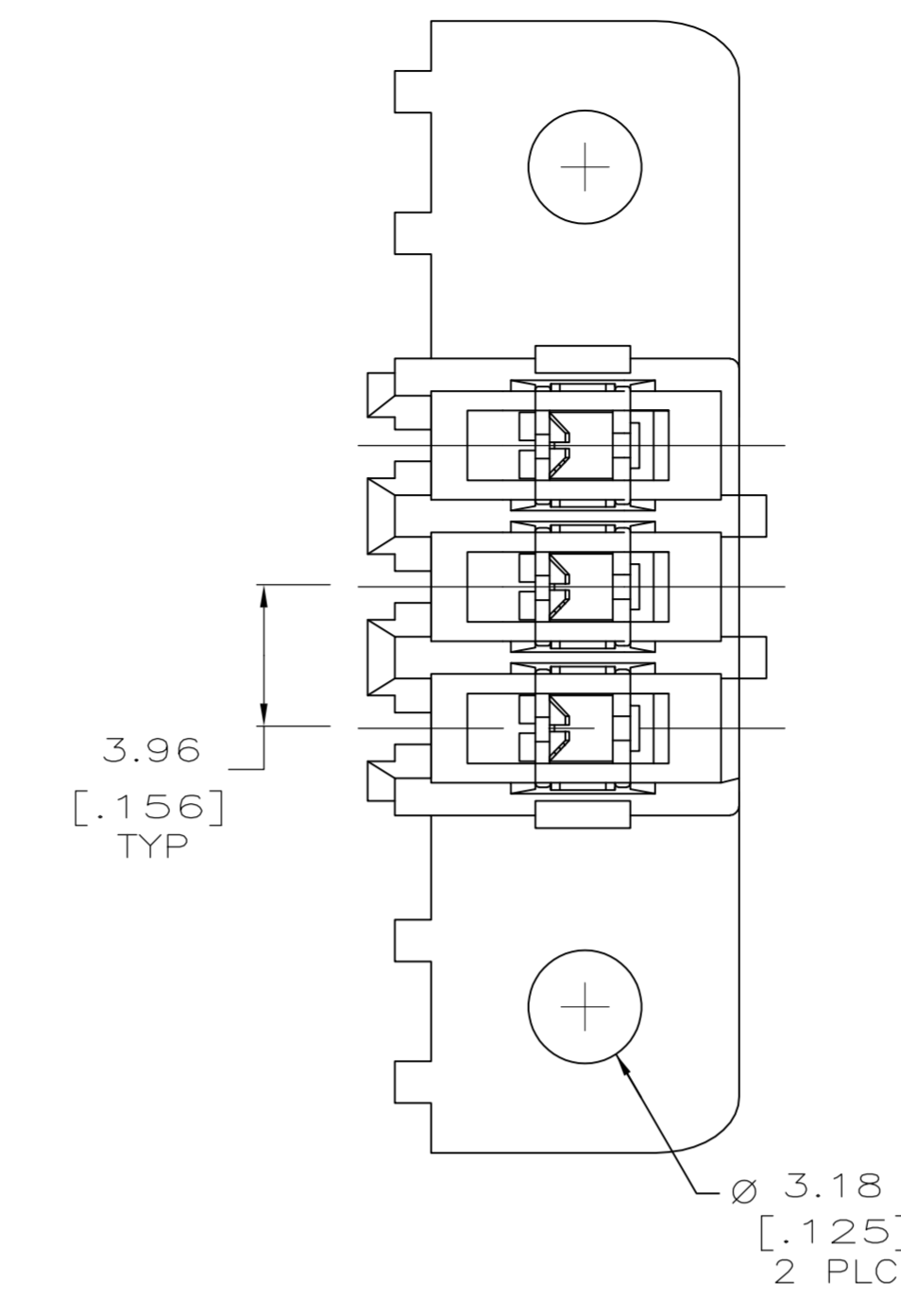
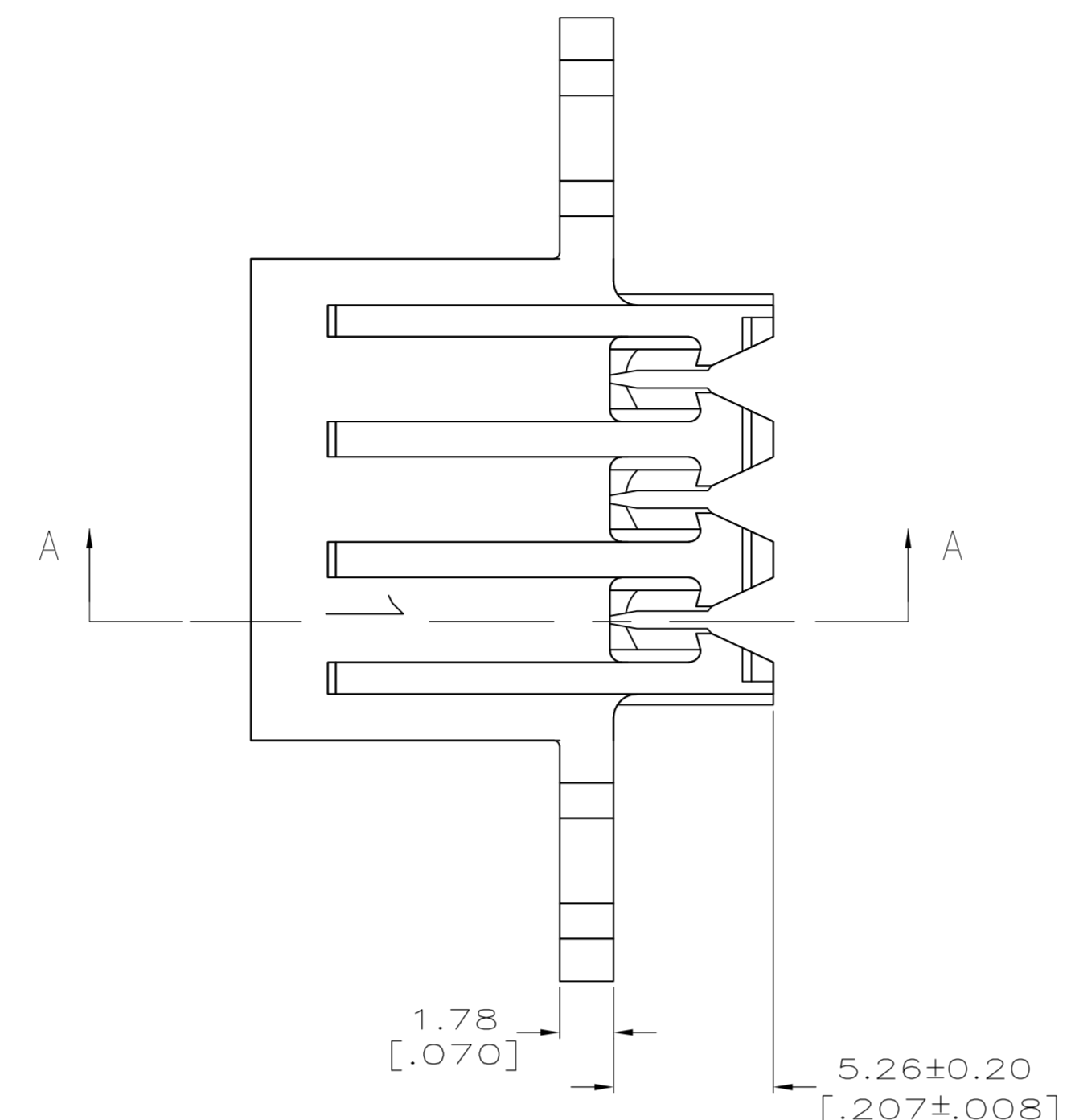
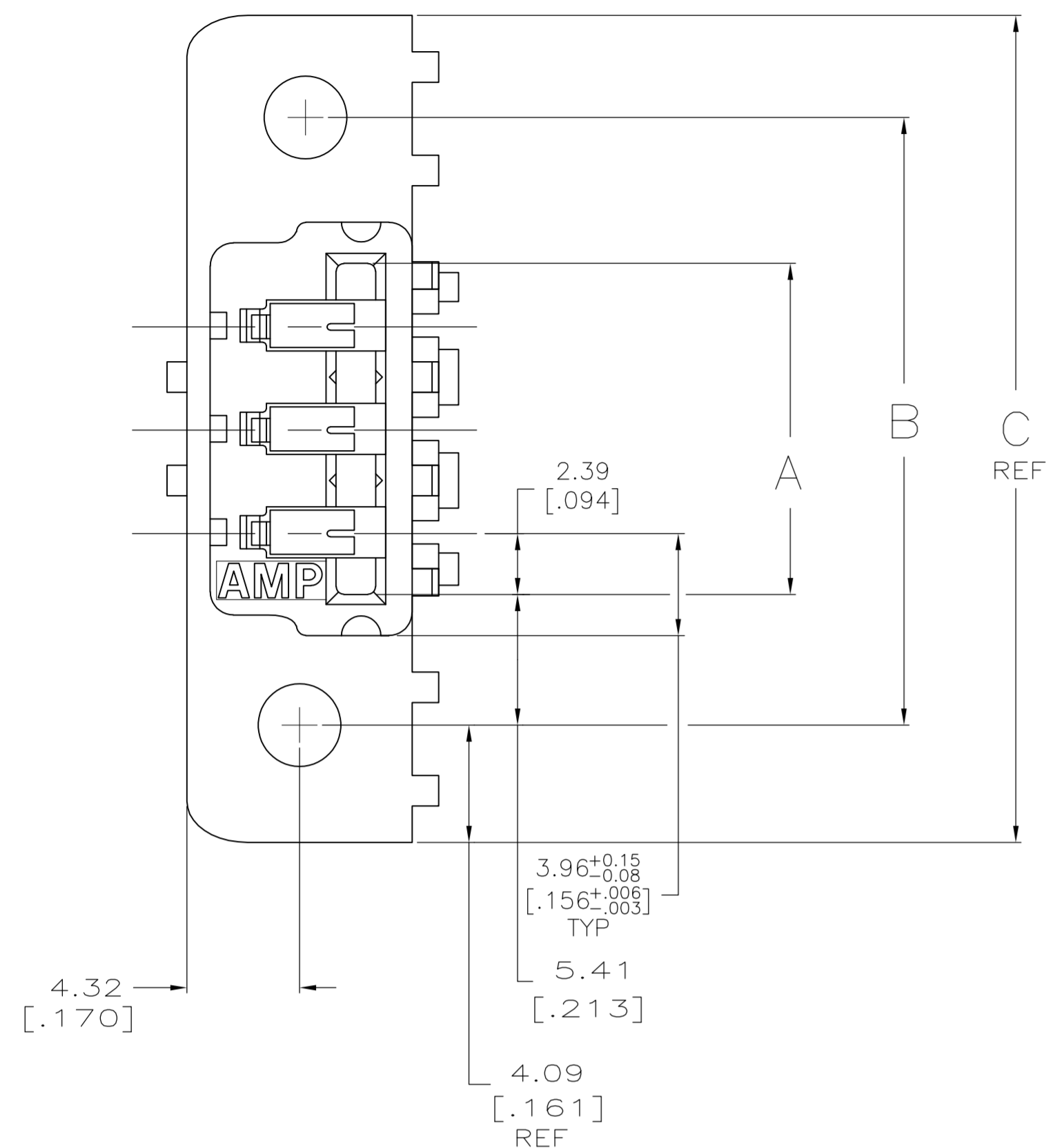
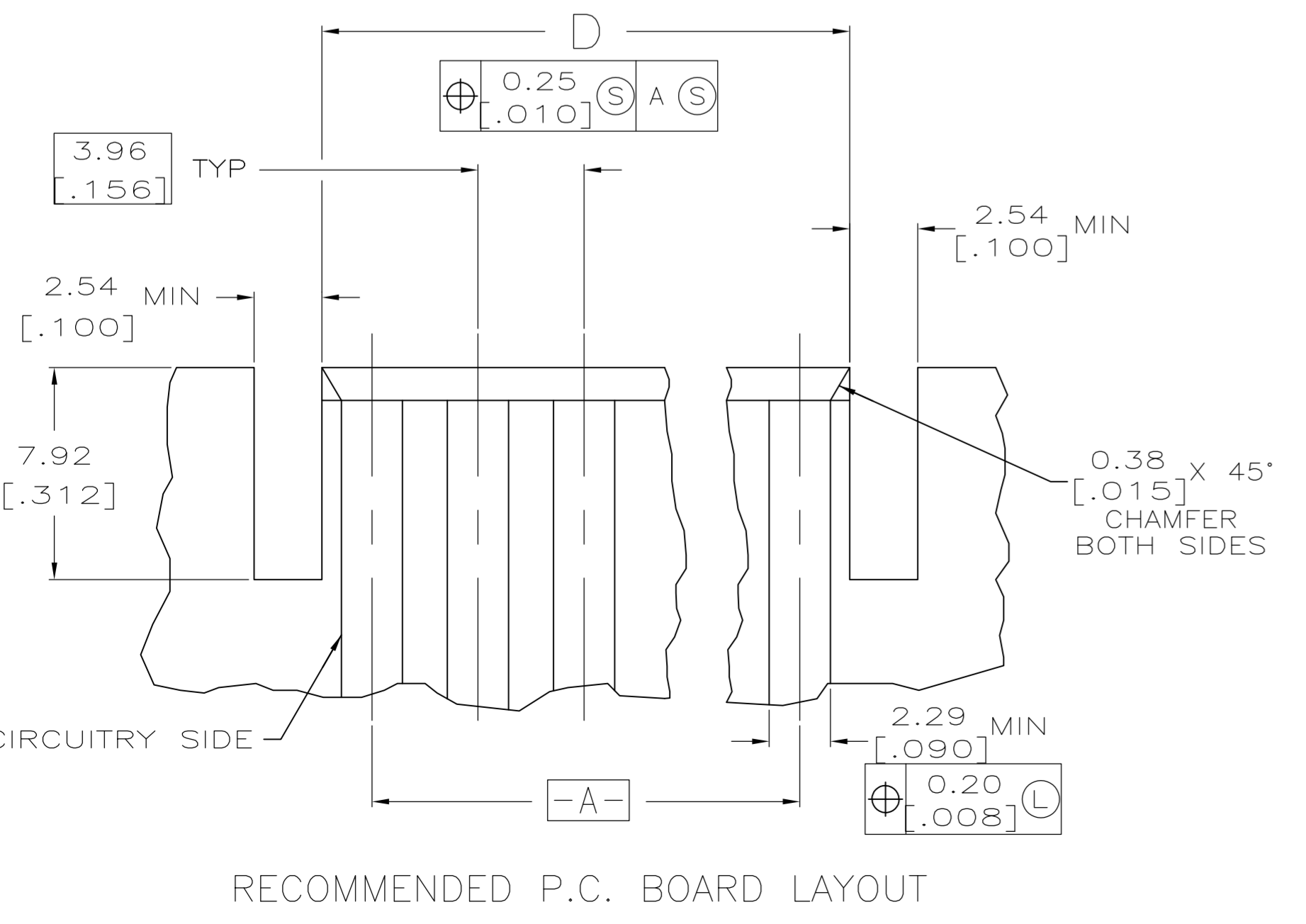
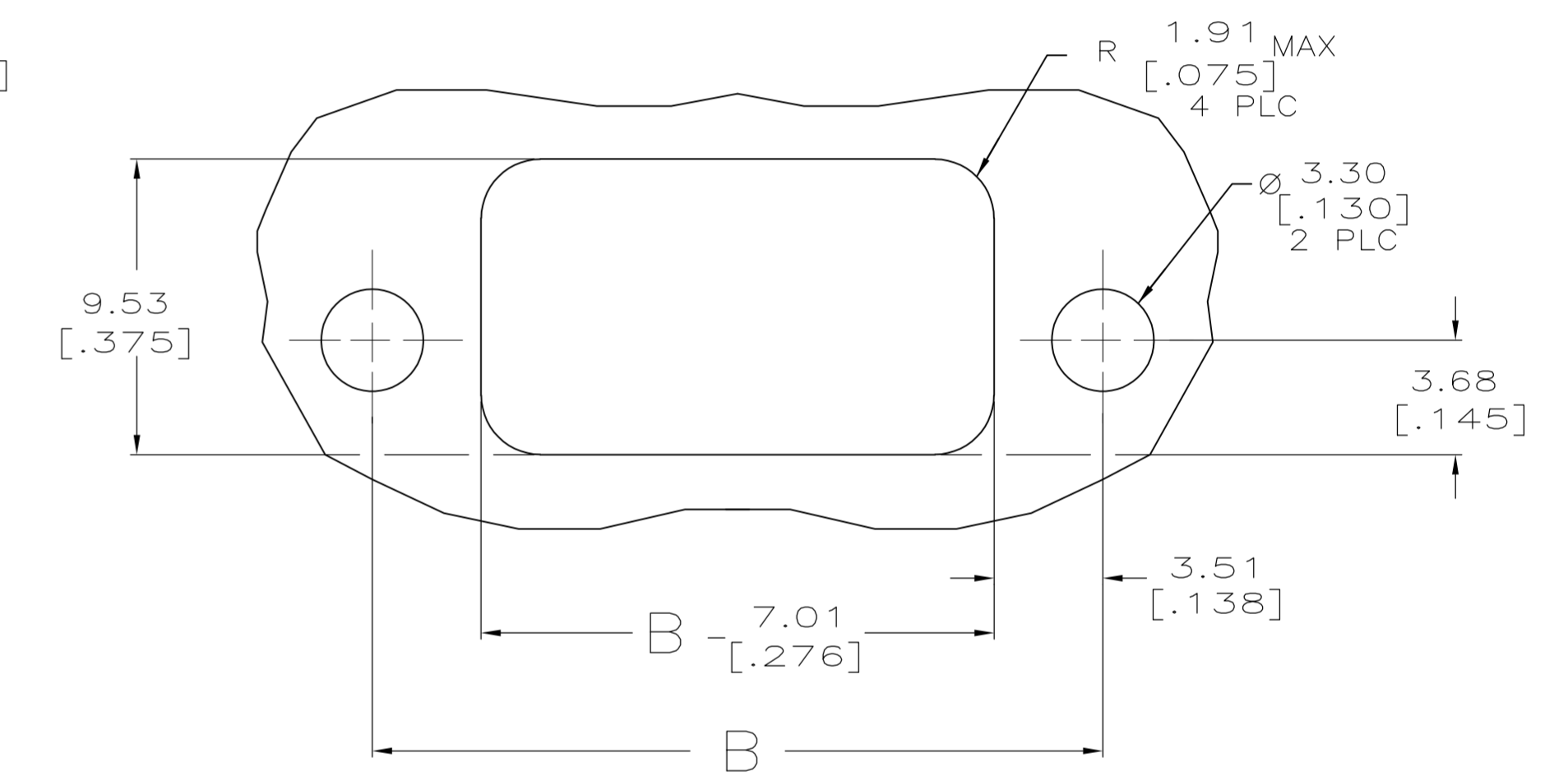
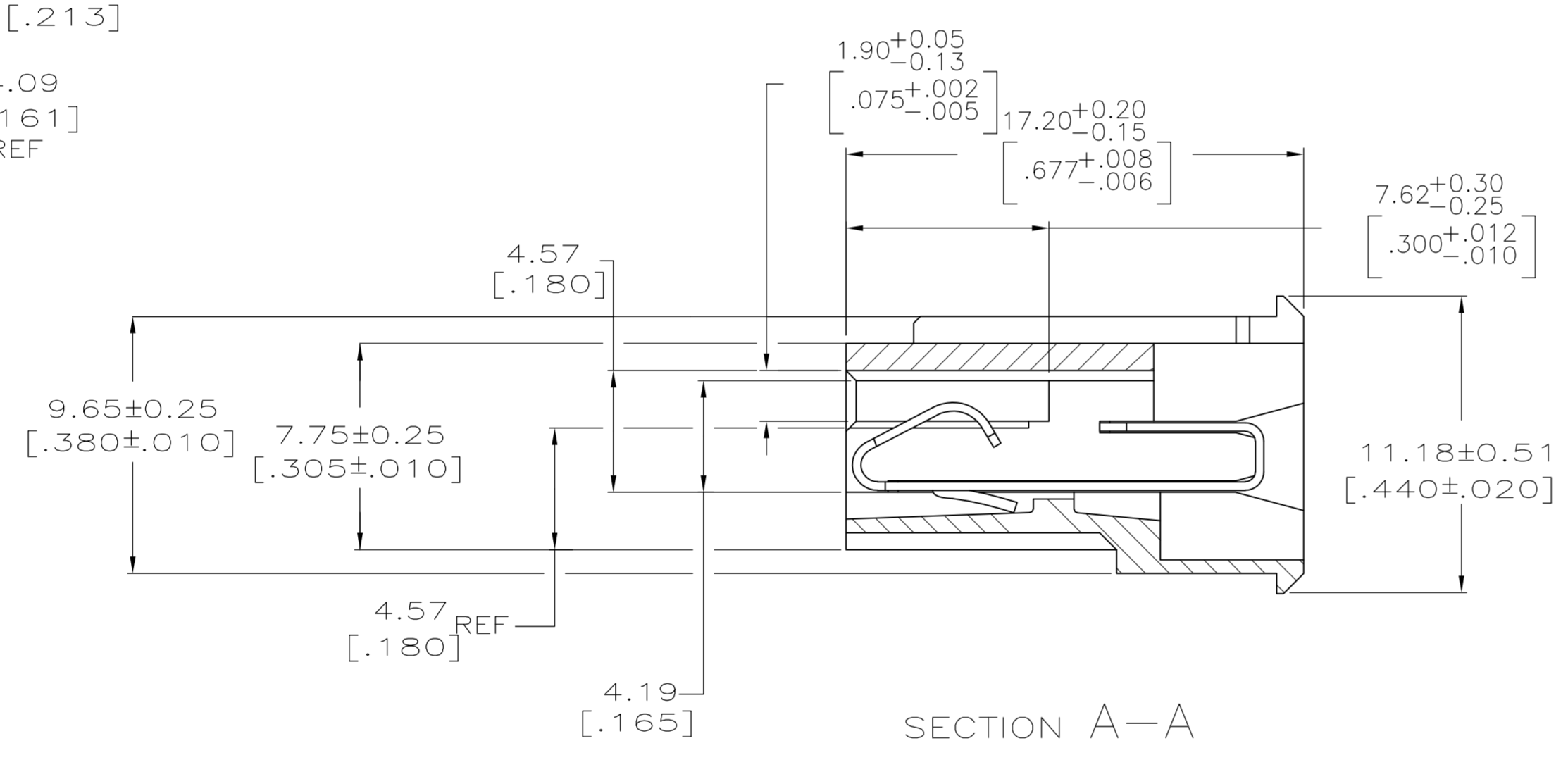


REVISONS		DATE	BY	APPV
G	ECO-07-012898	27JUN07	KW	DB
G1	REVISED PER ECO-09-021510	12SEP09	KK	AEG



- MATERIAL:
CONNECTOR: POLYESTER UL94V-0 (WHITE).
CONTACTS: 0.30[.012] THK COPPER ALLOY.
 - CONTACT ACCEPT #24 AWG WIRE WITH 2.41[.095] MAXIMUM INSULATION DIAMETER.
 - CONNECTOR MATES WITH 1.57±0.20[.062±.008] THK PC BOARD.
 - HOUSING FEATURES: FEED-THRU, STANDARD MOUTH WITH MOUNTING EARS.
- △ CONTACT FINISH: BRIGHT TIN-LEAD 0.00203[.000080] MIN THK.
 △ CONTACT FINISH: MATTE WHISKER MITIGATED TIN 0.00203[.000080] MIN THICKNESS OVER NICKEL UNDERPLATE.
 △ OBSOLETE PARTS: OBSOLETE CIS STREAMLINING PER D.RENAUD/D.SINISI



CONTACT FINISH	DIMENSIONS				NO. OF CIRCUITS	PART NUMBER
	D	C	B	A		
OBSOLETE	95.50 [3.760]	114.91 [4.524]	106.73 [4.202]	95.91 [3.776]	24	-5-641291-4
	91.54 [3.604]	110.95 [4.368]	102.77 [4.046]	91.95 [3.620]	23	-5-641291-3
	87.58 [3.448]	106.98 [4.212]	98.81 [3.890]	87.99 [3.464]	22	-5-641291-2
	83.62 [3.292]	103.02 [4.056]	94.84 [3.734]	84.02 [3.308]	21	-5-641291-1
	79.65 [3.136]	99.06 [3.900]	90.88 [3.578]	80.06 [3.152]	20	-5-641291-0
	71.73 [2.824]	91.14 [3.588]	82.96 [3.266]	72.14 [2.840]	18	-4-641291-8
	59.84 [2.356]	79.25 [3.120]	71.07 [2.798]	60.25 [2.372]	15	-4-641291-5
	47.96 [1.888]	67.36 [2.652]	59.18 [2.330]	48.36 [1.904]	12	-4-641291-2
	36.07 [1.420]	55.47 [2.184]	47.29 [1.862]	36.47 [1.436]	9	-3-641291-9
	24.18 [.952]	43.59 [1.716]	35.41 [1.394]	24.59 [.968]	6	-3-641291-6
12.29 [.484]	31.70 [1.248]	23.52 [.926]	12.70 [.500]	3	-3-641291-3	
OBSOLETE	95.50 [3.760]	114.91 [4.524]	106.73 [4.202]	95.91 [3.776]	24	-2-641291-4
	91.54 [3.604]	110.95 [4.368]	102.77 [4.046]	91.95 [3.620]	23	-2-641291-3
	87.58 [3.448]	106.98 [4.212]	98.81 [3.890]	87.99 [3.464]	22	-2-641291-2
	83.62 [3.292]	103.02 [4.056]	94.84 [3.734]	84.02 [3.308]	21	-2-641291-1
	79.65 [3.136]	99.06 [3.900]	90.88 [3.578]	80.06 [3.152]	20	-2-641291-0
	71.73 [2.824]	91.14 [3.588]	82.96 [3.266]	72.14 [2.840]	18	-1-641291-8
	59.84 [2.356]	79.25 [3.120]	71.07 [2.798]	60.25 [2.372]	15	-1-641291-5
	47.96 [1.888]	67.36 [2.652]	59.18 [2.330]	48.36 [1.904]	12	-1-641291-2
	36.07 [1.420]	55.47 [2.184]	47.29 [1.862]	36.47 [1.436]	9	-641291-9
	24.18 [.952]	43.59 [1.716]	35.41 [1.394]	24.59 [.968]	6	641291-6
12.29 [.484]	31.70 [1.248]	23.52 [.926]	12.70 [.500]	3	-641291-3	

METRIC

THIS DRAWING IS A CONTROLLED DOCUMENT. DWN R. LEWIS 2-22-96
 CHK R. SWING 2-22-96
 APVD - NAME

Tyco Electronics Corporation
 Harrisburg, Pa 17105-3608

PRODUCT SPEC MTA-156
 CARD EDGE CONNECTOR ASSEMBLY,
 24 AWG,PANEL MOUNT

APPLICATION SPEC
 SIZE CAGE CODE DRAWING NO. RESTRICTED TO
 A1 00779 C=641291

WEIGHT -
 CUSTOMER DRAWING SCALE 5:1 SHEET 1 OF 1 REV G1