



- Industrial circular tube system for control enclosures
- Modular construction for individual components
- Protected internal cable routing

Technical data

Material:

connecting tube: Steel 48 x 4 mm
DIN 2393-St.37

components: DIN EN 1706 EN AC-AISI12 (Fe)

Sealing:

CR and/or NBR

Colour:

tube galvanized
components: traffic grey B, RAL 7043 powdered
special colour on request

Ingress protection:

IP 54, EN 60529

Free cable passage:














through fixing elements and tube 40 mm \varnothing

Included in delivery:

Individual system components incl.
assembly materials

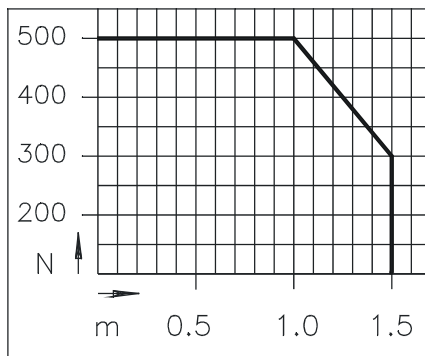
GT 48/2

Product range

		Order No.	Weight (kg)
Top-mounted joint		49.49 66 00	0.9
Foot stand, fixed		49.49 72 00	0.75
Foot stand, swivelling		49.49 68 00	0.7
Wall hinge W		49.49 70 00	1.7
Wall hinge S		49.49 62 00	1.5
Angle		49.49 71 00	0.8
Coupling		49.49 73 00	0.5
Flange coupling		49.49 77 00	0.5
Angle coupling		49.49 75 00	0.7
Angle flange coupling		49.49 78 00	0.7
Console flange 30°		49.49 76 00	0.4
Adapter flange		49.49 79 00	0.4
Inclining adapter		49.49 80 00	0.8
Flat panel adapter		49.45 90 01	

	Order No.	Weight (kg)
Connecting tube		
Standard length: 0.5 m	10.09 42 16	2.15
Standard length: 1 m	10.09 42 17	4.3
Standard length: 2 m	10.09 42 18	8.6
Standard length: 3 m	10.09 42 19	12.9
Variable length (please specify)	10.09 41 58	

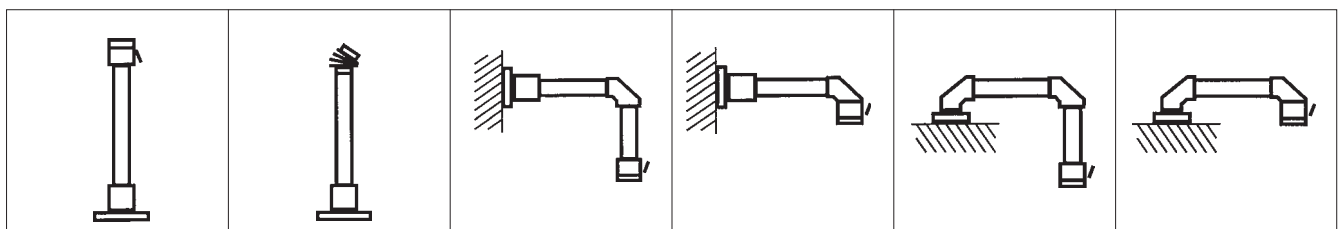
Load diagram



Note: the vertical length of the profile is responsible for the load of the complete suspension system (lever arm!). Further information for this on request. The values in the above load diagram are guilty to an execution hanging or standing. The declarations of weight are a summary from installation weight, Commander and all components and tubes between Commander and angle.

static load

Added system elements



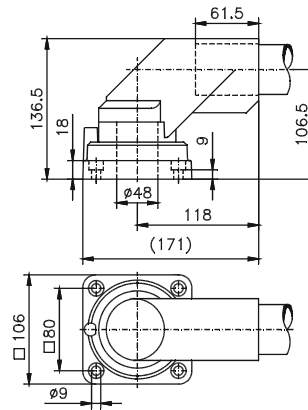
System components



Top-mounted joint

Cast aluminium with steel inner tube and flange mounting.
Swivelling range 250° (cannot be limited or stopped)

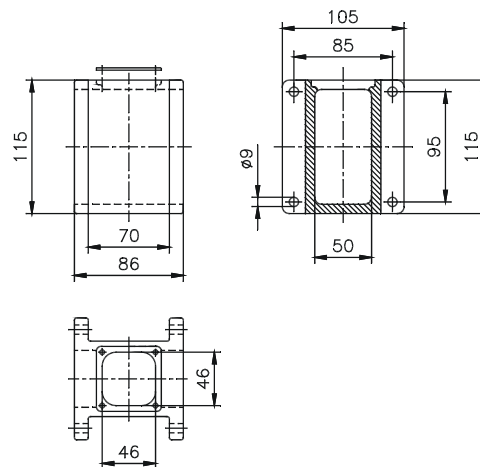
Order No. 49.49 66 00



Adapter flange

Cast steel part for mounting between wall and wall hinge for free cable routing, cable opening top or bottom as required.

Order No. 49.49 79 00



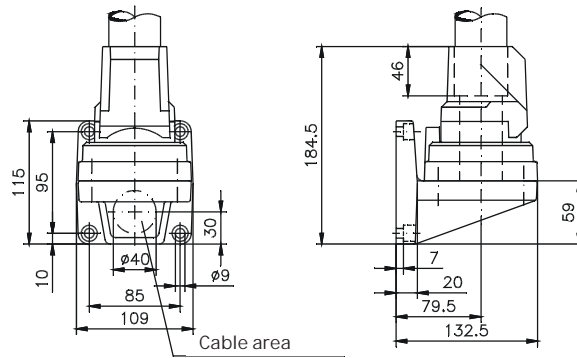
System components



Wall hinge S (vertical)

Cast aluminium with steel inner tube and flange mounting.
Swivelling range 250° (cannot be limited or stopped)

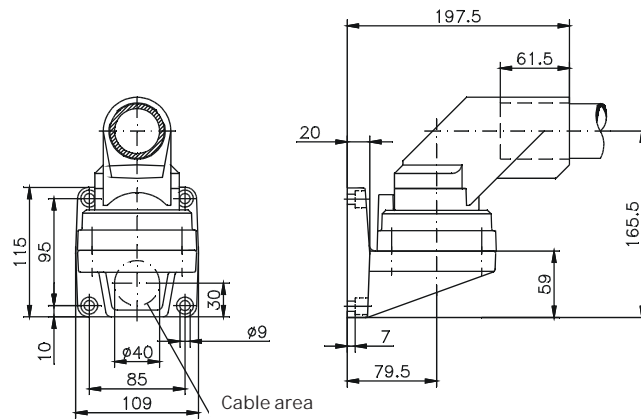
Order No. 49.49 62 00



Wall hinge W (horizontal)

Cast aluminium with steel inner tube and flange mounting.
Swivelling range 250° (cannot be limited or stopped)

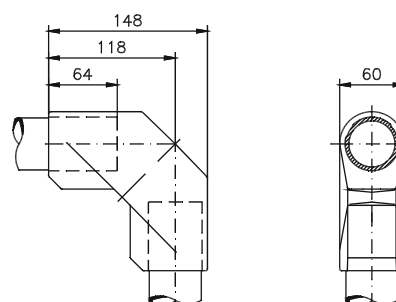
Order No. 49.49 70 00



Angle

Cast aluminium, angle 90°.

Order No. 49.49 71 00

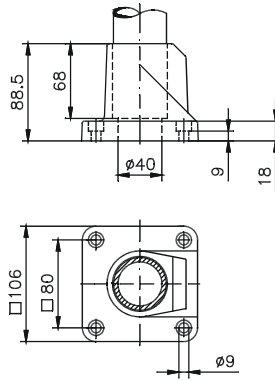


System components



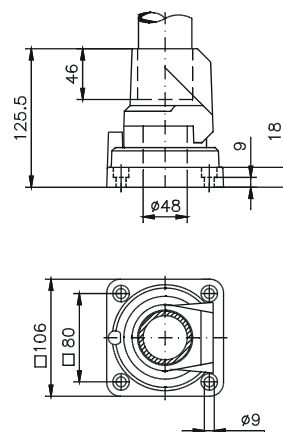
Foot stand, fixed
Cast aluminium, fixed version

Order No. **49.49 72 00**



Foot stand, swivelling
Cast aluminium with steel inner tube and flange mounting.
Swivelling range 250° (cannot be limited or stopped)

Order No. **49.49 68 00**



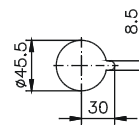
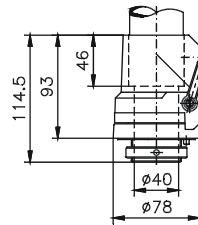
System components



Coupling

Cast aluminium with steel inner tube. Coupling through-fitted. Fastened with locknut on the inside of the enclosure, screw connection not visible from the outside. Swivelling range 270° can be stopped at any point via clamping lever (swivelling range cannot be limited)

Order No. 49.49 73 00



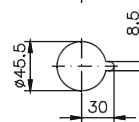
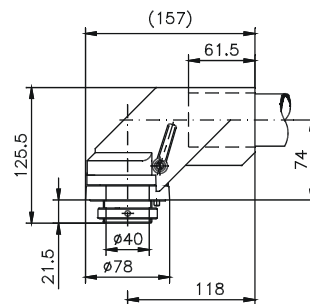
Assembly drill hole



Angle coupling

Combination of angle and coupling for horizontal tube exit. Cast aluminium with steel inner tube. Coupling through-fitted. Fastened with locknut on the inside of the enclosure, screw connection not visible from the outside. Swivelling range 270° can be stopped at any point via clamping lever (swivelling range cannot be limited)

Order No. 49.49 75 00



Assembly drill hole

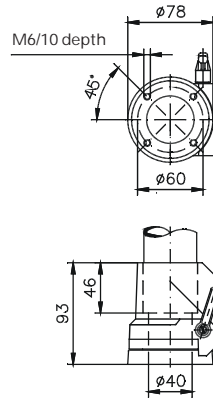
System components



Flange coupling

Cast aluminium with steel inner tube. Coupling mounted from inside.
Swivelling range 270° can be stopped at any point via clamping lever (swivelling range cannot be limited)

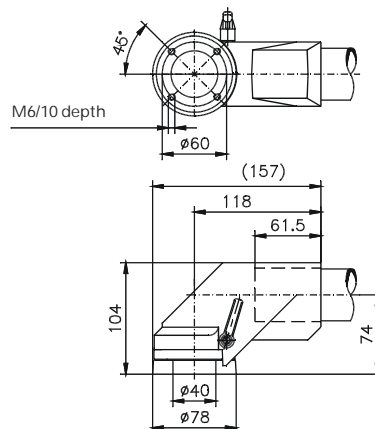
Order No. 49.49 77 00



Angle flange coupling

Combination of angle and coupling for horizontal tube exit. Cast aluminium with steel inner tube.
Coupling mounted from inside..
Swivelling range 270° can be stopped at any point via clamping lever (swivelling range cannot be limited)

Order No. 49.49 78 00



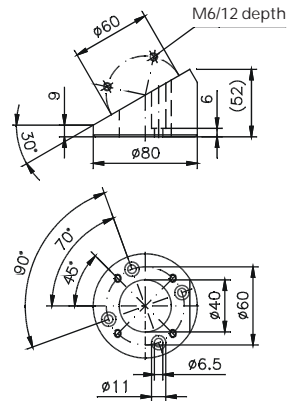
System components



Console flange

Aluminium incl. screws and seal, fixed inclination 30°. Screw-mounted between enclosure and coupling.

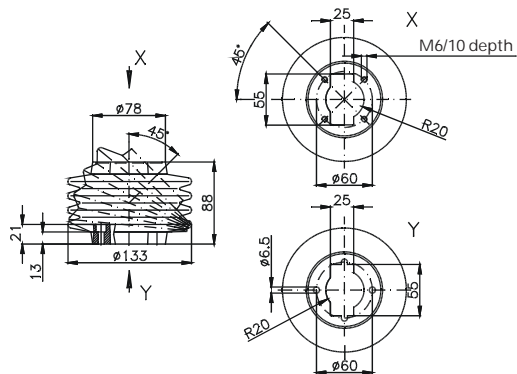
Order No. 49.49 76 00



Inclining adapter

Cast aluminium part with bellow and seal, inclination can be adjusted to any angle between 0° and 45°. Screw-mounted between enclosure and coupling.

Order No. 49.49 80 00



Flat panel adapter

aluminium profile for rear connection of GT 48 / GTK electronic to flat panels

Order No. 49.45 90 01

