

USV

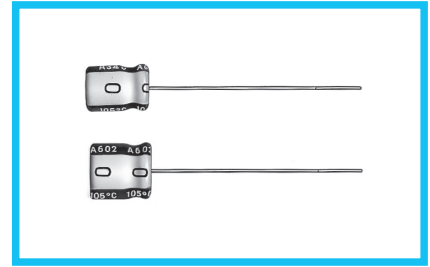
7mmL, Long Life Assurance



Long Life

- Extended load life of 5000 hours at +105°C, with 7mm height.
- Compliant to the RoHS directive (2011/65/EU).

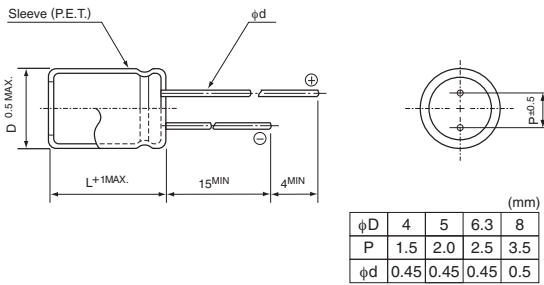
Values marked with an ※ in the dimension table are scheduled to be discontinued and are not recommended for new designs.



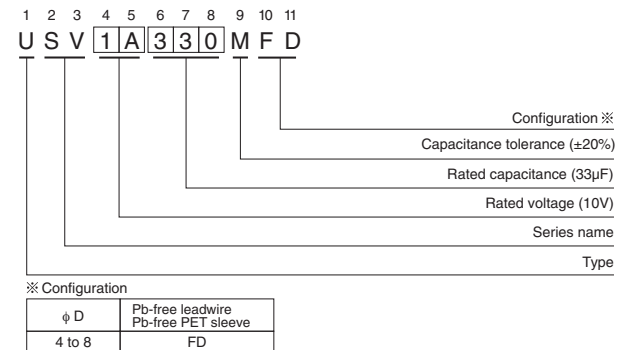
Specifications

Item	Performance Characteristics																							
Category Temperature Range	-40 to +105°C																							
Rated Voltage Range	6.3 to 50V																							
Rated Capacitance Range	0.1 to 220μF																							
Capacitance Tolerance	±20% at 120Hz, 20°C																							
Leakage Current	After 2 minutes' application of rated voltage at 20°C, leakage current is not more than 0.01CV or 3(μA), whichever is greater.																							
Tangent of loss angle (tan δ)	Measurement frequency : 120Hz, Temperature : 20°C																							
	<table border="1"> <tr> <td>Rated voltage (V)</td> <td>6.3</td> <td>10</td> <td>16</td> <td>25</td> <td>35</td> <td>50</td> </tr> <tr> <td>tan δ (MAX.)</td> <td>0.24</td> <td>0.21</td> <td>0.18</td> <td>0.15</td> <td>0.13</td> <td>0.12</td> </tr> </table>	Rated voltage (V)	6.3	10	16	25	35	50	tan δ (MAX.)	0.24	0.21	0.18	0.15	0.13	0.12									
Rated voltage (V)	6.3	10	16	25	35	50																		
tan δ (MAX.)	0.24	0.21	0.18	0.15	0.13	0.12																		
Stability at Low Temperature	Measurement frequency : 120Hz																							
	<table border="1"> <tr> <td colspan="2">Rated voltage (V)</td> <td>6.3</td> <td>10</td> <td>16</td> <td>25</td> <td>35</td> <td>50</td> </tr> <tr> <td>Impedance ratio</td> <td>Z-25°C / Z+20°C</td> <td>4</td> <td>3</td> <td>2</td> <td>2</td> <td>2</td> <td>2</td> </tr> <tr> <td>ZT / Z20 (MAX.)</td> <td>Z-40°C / Z+20°C</td> <td>8</td> <td>6</td> <td>4</td> <td>3</td> <td>3</td> <td>3</td> </tr> </table>	Rated voltage (V)		6.3	10	16	25	35	50	Impedance ratio	Z-25°C / Z+20°C	4	3	2	2	2	2	ZT / Z20 (MAX.)	Z-40°C / Z+20°C	8	6	4	3	3
Rated voltage (V)		6.3	10	16	25	35	50																	
Impedance ratio	Z-25°C / Z+20°C	4	3	2	2	2	2																	
ZT / Z20 (MAX.)	Z-40°C / Z+20°C	8	6	4	3	3	3																	
Endurance	The specifications listed at right shall be met when the capacitors are restored to 20°C after the rated voltage is applied for 5000 hours at 105°C.																							
	Capacitance change	Within ±30% of the initial capacitance value																						
	tan δ	300% or less than the initial specified value																						
Shelf Life	After storing the capacitors under no load at 105°C for 1000 hours and then performing voltage treatment based on JIS C 5101-4 clause 4.1 at 20°C, they shall meet the specified values for the endurance characteristics listed above.																							
	Leakage current	Less than or equal to the initial specified value																						
Marking	Printed with silver color letter on dark brown sleeve.																							

Radial Lead Type



Type numbering system (Example: 10V 33μF)



Dimensions

Cap.(μF)	Code	6.3		10		16		25		35		50	
		0J		1A		1C		1E		1V		1H	
0.1	0R1											※ 4 × 7	1.0
0.22	R22											※ 4 × 7	2.3
0.33	R33											※ 4 × 7	3.5
0.47	R47											※ 4 × 7	5.0
1	010											4 × 7	10
2.2	2R2											4 × 7	19
3.3	3R3											4 × 7	24
4.7	4R7											4 × 7	29
10	100					4 × 7	29	5 × 7	33	4 × 7	24	5 × 7	29
22	220	4 × 7	34	5 × 7	38	5 × 7	44	6.3 × 7	51	5 × 7	36	6.3 × 7	44
33	330	5 × 7	42	5 × 7	47	6.3 × 7	57	6.3 × 7	63	6.3 × 7	57	8 × 7	65
47	470	5 × 7	50	6.3 × 7	59	6.3 × 7	68	6.3 × 7	78	8 × 7	72		
100	101	6.3 × 7	77	8 × 7	96	8 × 7	107						
220	221	8 × 7	130									Case size φD × L (mm)	Rated ripple

Rated ripple current (mArms) at 105°C 120Hz

Frequency coefficient of rated ripple current

Frequency	50 Hz	120 Hz	300 Hz	1 kHz	10 kHz or more
Coefficient	0.70	1.00	1.17	1.36	1.50

Please refer to page 20, 21, 22 about the formed or taped product spec.
Please refer to page 4 for the minimum order quantity.