

DATA SHEET

SKY13585-679LF: 1.0 to 6.0 GHz SPDT Switch

Applications

- WLAN 802.11 a/b/g/n/ac networks
- WLAN repeaters
- ISM band radios
- Low power transmit receive systems
- Smartphones
- Connectivity modules

Features

- Broadband frequency range: 1.0 to 6.0 GHz
- Low insertion loss, 0.5 dB typical @ 2.45 GHz
- High isolation, 38 dB typical @ 2.45 GHz
- Excellent linearity performance, IP0.1dB = +31 dBm
- Single control logic
- 1.8 V and 3.3 V logic compatibility
- Wide 3 to 5 V supply voltage range
- Integrated DC blocking capacitors
- Ultra-miniature, MLPD (6-pin, 1 × 1 × 0.32 mm) package (MSL1, 260 °C per JEDEC J-STD-020)



Skyworks Green™ products are compliant with all applicable legislation and are halogen-free. For additional information, refer to *Skyworks Definition of Green™*, document number SQ04-0074.

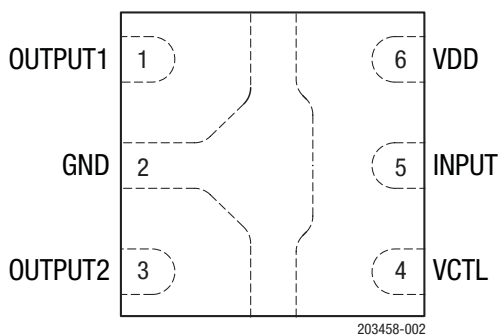


Figure 2. SKY13585-679LF Pinout (Top View)

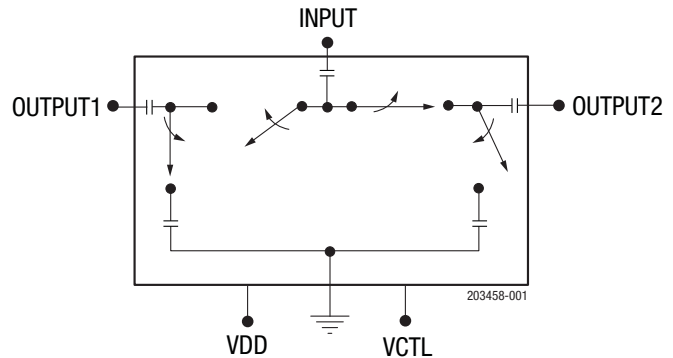


Figure 1. SKY13585-679LF Block Diagram

Description

The SKY13585-679LF is a single-pole, double-throw (SPDT) switch intended for mode switching in WLAN applications. Using advanced switching technologies, the SKY13585-679LF maintains low insertion loss and high isolation for all switching paths.

The high-linearity performance and low insertion loss achieved by the switch make it an ideal choice for low-power transmit/receive applications. Depending on the logic voltage applied to the control pin (VCTL), the INPUT pin is connected to one of the two switched RF outputs (OUTPUT1 or OUTPUT2) using a low insertion loss path, while the path between the INPUT pin and the other OUTPUT pin is in a high-isolation state. The switch is "reflective short" on the isolated port.

The SKY13585-679LF has integrated DC blocking capacitors, so no external DC blocking capacitors are required.

The switch is manufactured in a compact, 1 × 1 × 0.32 mm, 6-pin exposed pad plastic Micro Lead-frame Package Dual (MLPD) package.

A functional block diagram is shown in Figure 1. The pin configuration and package are shown in Figure 2. Signal pin assignments and functional pin descriptions are provided in Table 1.

Table 1. SKY13585-679LF Signal Descriptions

Pin	Name	Description	Pin	Name	Description
1	OUTPUT1	RF port	4	VCTL	DC control voltage
2	GND	Ground	5	INPUT	RF port
3	OUTPUT2	RF port	6	VDD	DC supply voltage

Electrical and Mechanical Specifications

The absolute maximum ratings of the SKY13585-679LF are provided in Table 2. The recommended operating conditions are specified in Table 3, and electrical specifications are provided in Table 4.

The state of the SKY13585-679LF is determined by the logic provided in Table 5. Typical performance characteristics are shown in Figures 3 through 6.

Table 2. SKY13585-679LF Absolute Maximum Ratings¹

Parameter	Symbol	Minimum	Maximum	Units
Input power	PIN		+32	dBm
Supply voltage	VDD		5.5	V
Control voltage	VCTL		3.7	V
Storage temperature	TSTG	-65	+150	°C
Operating temperature	TOP	-40	+90	°C

¹ Exposure to maximum rating conditions for extended periods may reduce device reliability. There is no damage to device with only one parameter set at the limit and all other parameters set at or below their nominal value. Exceeding any of the limits listed here may result in permanent damage to the device.

ESD HANDLING: *Although this device is designed to be as robust as possible, electrostatic discharge (ESD) can damage this device. This device must be protected at all times from ESD when handling or transporting. Static charges may easily produce potentials of several kilovolts on the human body or equipment, which can discharge without detection. Industry-standard ESD handling precautions should be used at all times.*

Table 3. SKY13585-679LF Recommended Operating Conditions

Parameter	Symbol	Minimum	Typical	Maximum	Units
Operating frequency	fo	1.0		6.0	GHz
Supply voltage	VDD	2.7	3.3	5	V
Control voltage:					
Low	VCTL_L	0		0.4	V
High	VCTL_H	1.6		3.6	V
Operating temperature	TOP		+25		°C

Table 4. SKY13585-679LF Electrical Specifications¹

(V_{DD} = 3.3 V, V_{CTL} = 0 V and 1.8 V, T_{OP} = +25 °C, P_{IN} = 0 dBm, Characteristic Impedance [Z₀] = 50 Ω, Unless Otherwise Noted)

Parameter	Symbol	Test Condition	Minimum	Typical	Maximum	Units
Insertion loss	IL	1.0 to 2.5 GHz, NTC ² 4.8 to 6.0 GHz, NTC		0.5	0.65	dB
				0.7	0.95	dB
Isolation (INPUT to OUTPUT1/OUTPUT2)	ISO	1.0 to 2.5 GHz, NTC 4.8 to 6.0 GHz, NTC	34	38		dB
			20	22		dB
Isolation (OUTPUT1 to OUTPUT2)	ISO	1.0 to 2.5 GHz, NTC 4.8 to 6.0 GHz, NTC	33	36		dB
			19	22		dB
Return loss	RL	1.0 to 2.5 GHz, NTC 4.8 to 6.0 GHz, NTC	14	17		dB
			14	17		dB
PO.1dB compression point	P0.1dB	1.0 to 6.0 GHz, NTC		+31		dBm
Harmonics	2fo	P _{IN} = +24 dBm: fo = 2.4 GHz, NTC fo = 5.8 GHz, NTC		-48 -50	-42 -46	dBm dBm
	3fo	P _{IN} = +24 dBm, fo = 2.4 GHz, NTC		-48	-44	dBm
Input IP3	IP3	P _{IN} = +20 dBm/tone: fo = 2.4 GHz, NTC fo = 5.8 GHz, NTC	+50	+56		dBm
			+46	+50		dBm
Error vector magnitude	EVM	802.11a, 54 Mbps, P _{IN} = +24 dBm 802.11g, 54 Mbps, P _{IN} = +24 dBm		-45	-40	dB
				-42	-36	dB
Startup time	t _s	50% V _{DD} to 90% of RF		2	5	μs
Switching speed	t _{sw}	10% RF to 90% RF		300	450	ns
Supply current	I _{DD}	NTC		5	10	μA

¹ Performance is guaranteed only under the conditions listed in this table.

² NTC = nominal test conditions

Table 5. SKY13585-679LF Truth Table¹

VDD (Pin 6)	VCTL (Pin 4)	INPUT to OUTPUT1 Path	INPUT to OUTPUT2 Path
1	0	Isolation	Insertion loss
1	1	Insertion loss	Isolation

¹ "1" indicates V_{DD} = 3 to 5 V, V_{CTL} = 1.6 to 3.6 V.

"0" indicates V_{CTL} = 0 to 0.4 V.

Any state other than described in this table places the switch into an undefined state. An undefined state will not damage the device.

Typical Performance Characteristics

($V_{DD} = 3.3\text{ V}$, $V_{CTL} = 0\text{ V}$ and 1.8 V , $T_{OP} = +25\text{ }^{\circ}\text{C}$, $P_{IN} = 0\text{ dBm}$, Characteristic Impedance [Z_0] = $50\ \Omega$, Unless Otherwise Noted)

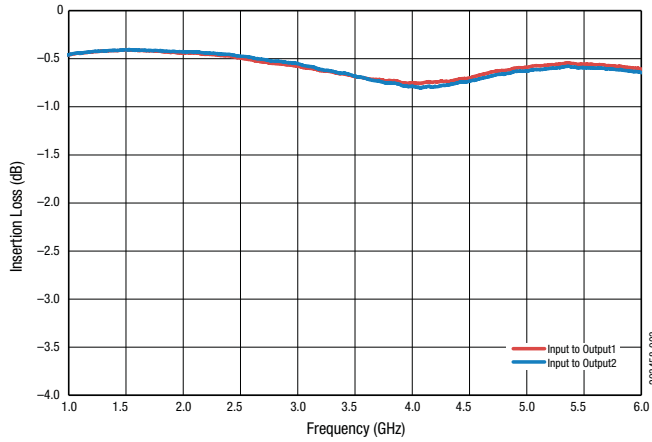


Figure 3. Typical Insertion Loss

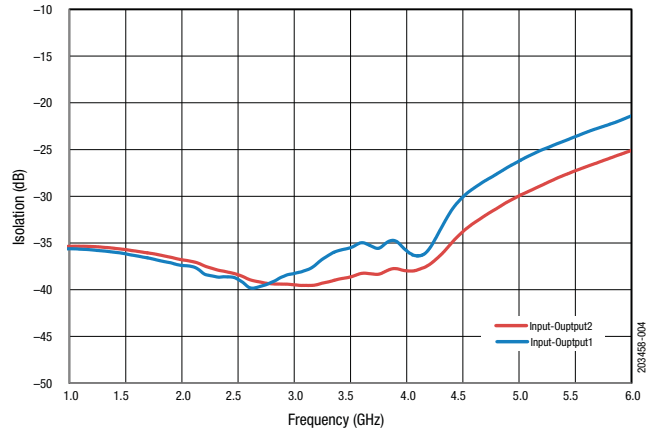


Figure 4. Typical Isolation, Input—Output

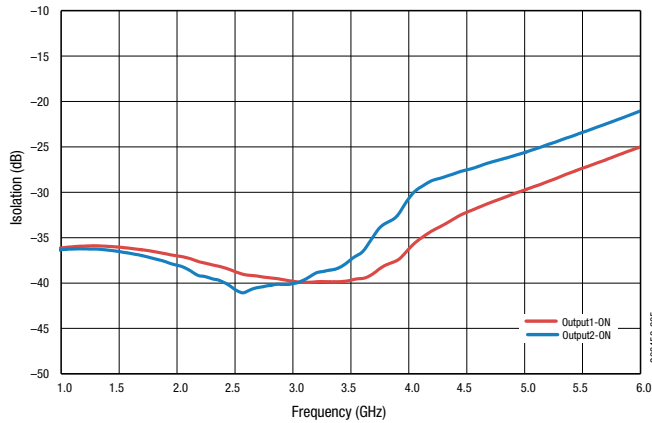


Figure 5. Typical Isolation, Output1—Output2

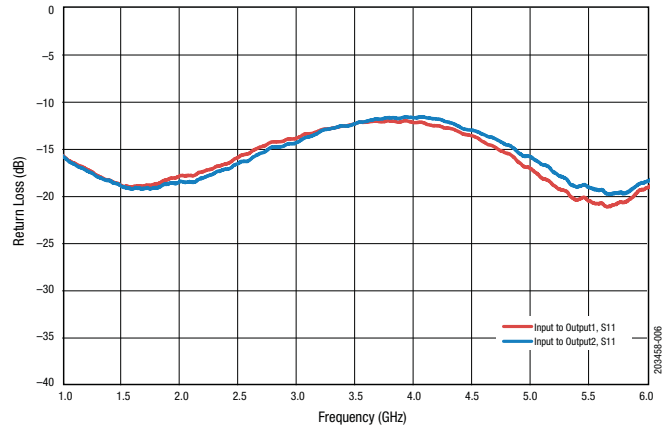


Figure 6. Typical Return Loss

Evaluation Board Description

The SKY13585-679LF Evaluation Board is used to test the performance of the SKY13585-679LF SPDT Switch. An Evaluation Board schematic diagram is provided in Figure 7. An assembly drawing for the Evaluation Board is shown in Figure 8.

Package Dimensions

The PCB layout footprint for the SKY13585-679LF is provided in Figure 9. Typical part markings are shown in Figure 10. Package dimensions are shown in Figure 11, and tape and reel dimensions are provided in Figure 12.

Package and Handling Information

Instructions on the shipping container label regarding exposure to moisture after the container seal is broken must be followed. Otherwise, problems related to moisture absorption may occur when the part is subjected to high temperature during solder assembly.

The SKY13585-679LF is rated to Moisture Sensitivity Level 1 (MSL1) at 260 °C. It can be used for lead or lead-free soldering. For additional information, refer to the Skyworks Application Note, *Solder Reflow Information*, document number 200164.

Care must be taken when attaching this product, whether it is done manually or in a production solder reflow environment. Production quantities of this product are shipped in a standard tape and reel format.

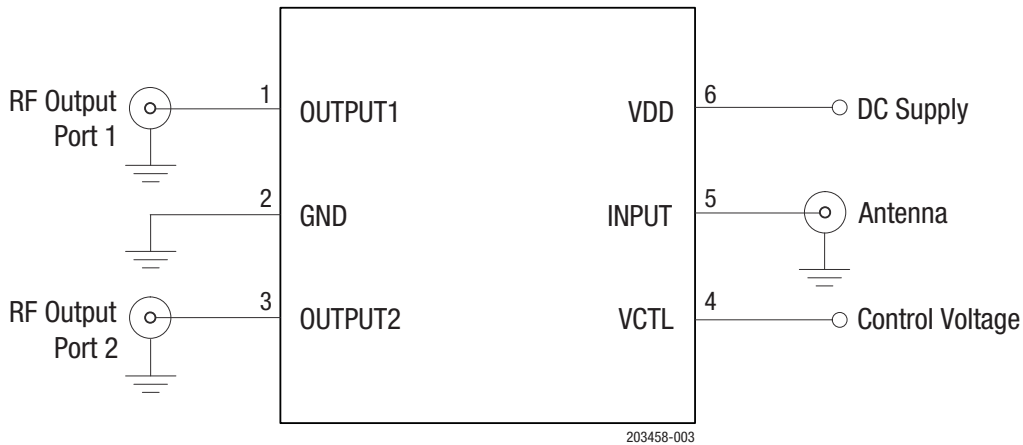
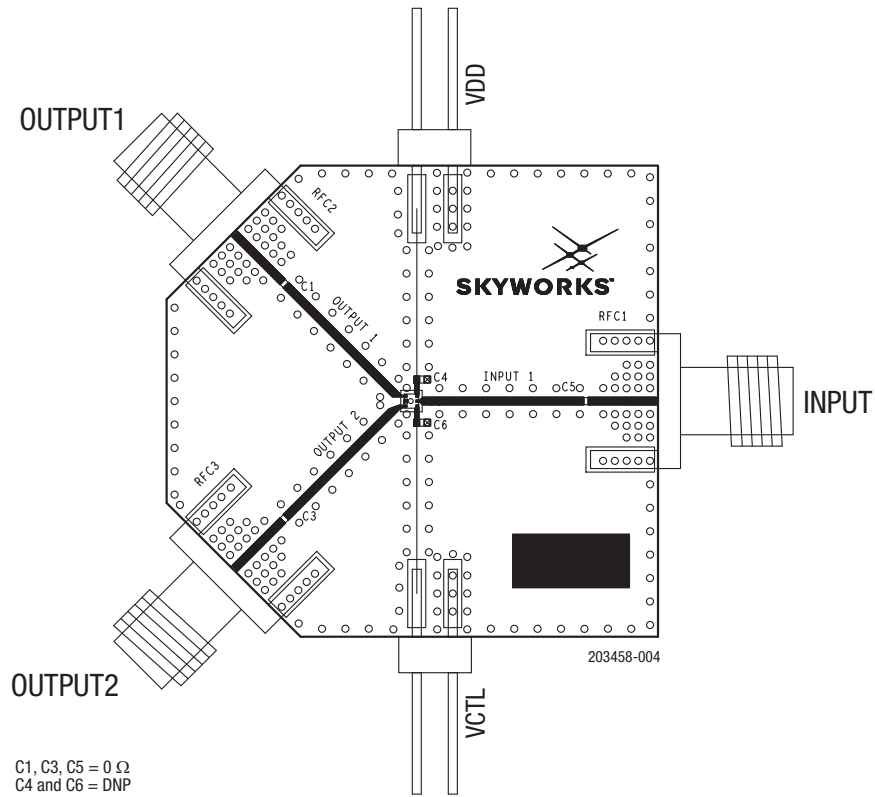
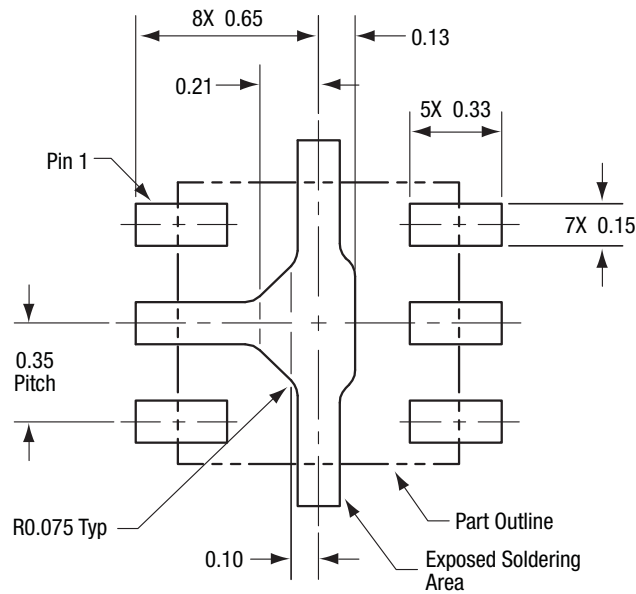


Figure 7. SKY13585-679LF Evaluation Board Schematic



C1, C3, C5 = 0 Ω
C4 and C6 = DNP

Figure 8. SKY13585-679LF Evaluation Board Assembly Diagram



All measurements in millimeters

203458-005

Figure 9. SKY13585-679LF PCB Layout Footprint (Top View)

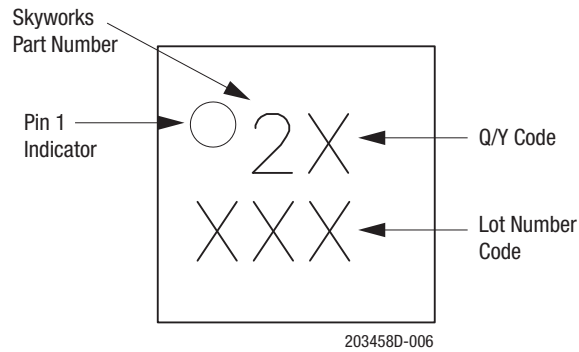
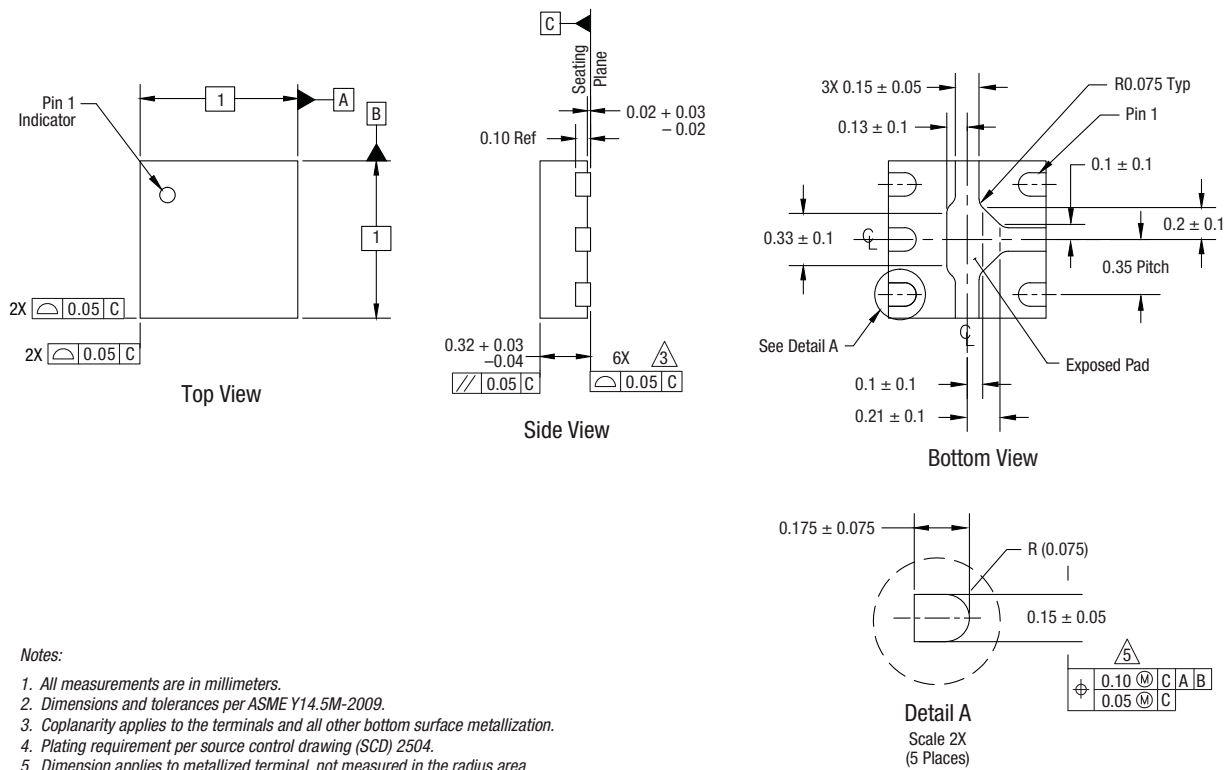


Figure 10. Typical Part Markings (Top View)



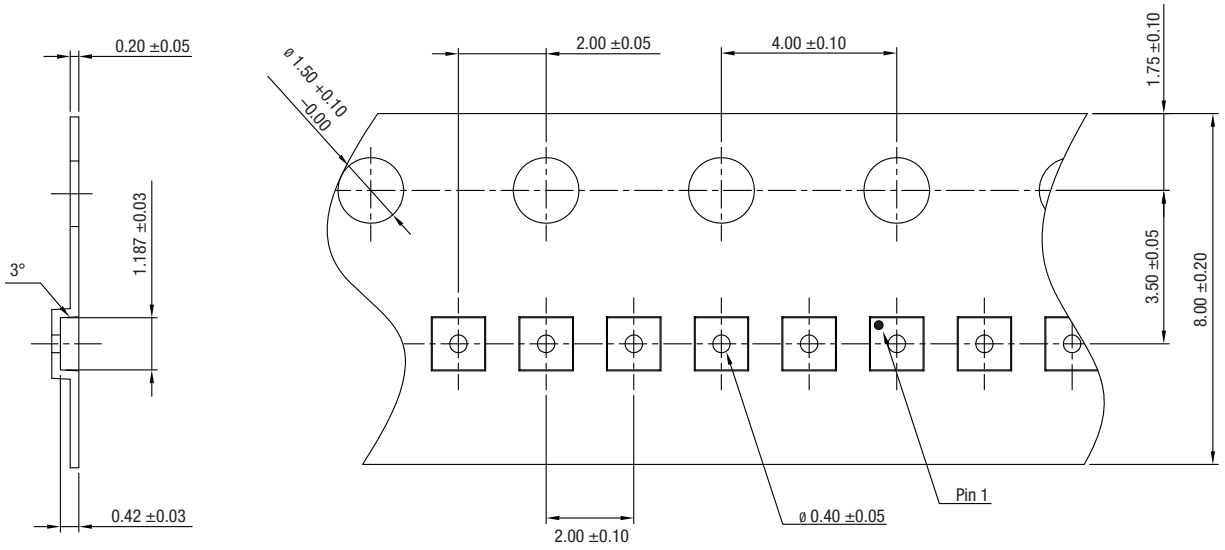
Notes:

1. All measurements are in millimeters.
2. Dimensions and tolerances per ASME Y14.5M-2009.
3. Coplanarity applies to the terminals and all other bottom surface metallization.
4. Plating requirement per source control drawing (SCD) 2504.
5. Dimension applies to metallized terminal, not measured in the radius area.

203458-007

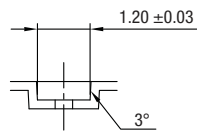
Figure 11. SKY13585-679LF Package Dimensions

DATA SHEET • SKY13585-679LF: 1.0 TO 6.0 GHz SPDT SWITCH



Notes:

1. 10-sprocket hole pitch cumulative tolerance: ± 0.2 mm.
2. Camber not to exceed 1 mm in 250 mm.
3. Carrier tape: black conductive polystyrene.
4. K_0 measured from a plane on the inside bottom of the pocket to the top surface of the carrier.
5. Pocket position relative to sprocket hole measured as true position of pocket, not pocket hole.
6. Pocket center and pocket hole center must be the same position.
7. All dimensions are in millimeters.



203458-008

Figure 12. SKY13585-679LF Tape and Reel Dimensions

Ordering Information

Model Name	Manufacturing Part Number	Evaluation Board Part Number
SKY13585-679LF: 1.0 to 6.0 GHz SPDT Switch	SKY13585-679LF	SKY13585-679LF-EVB

Copyright © 2015-2017 Skyworks Solutions, Inc. All Rights Reserved.

Information in this document is provided in connection with Skyworks Solutions, Inc. (“Skyworks”) products or services. These materials, including the information contained herein, are provided by Skyworks as a service to its customers and may be used for informational purposes only by the customer. Skyworks assumes no responsibility for errors or omissions in these materials or the information contained herein. Skyworks may change its documentation, products, services, specifications or product descriptions at any time, without notice. Skyworks makes no commitment to update the materials or information and shall have no responsibility whatsoever for conflicts, incompatibilities, or other difficulties arising from any future changes.

No license, whether express, implied, by estoppel or otherwise, is granted to any intellectual property rights by this document. Skyworks assumes no liability for any materials, products or information provided hereunder, including the sale, distribution, reproduction or use of Skyworks products, information or materials, except as may be provided in Skyworks Terms and Conditions of Sale.

THE MATERIALS, PRODUCTS AND INFORMATION ARE PROVIDED “AS IS” WITHOUT WARRANTY OF ANY KIND, WHETHER EXPRESS, IMPLIED, STATUTORY, OR OTHERWISE, INCLUDING FITNESS FOR A PARTICULAR PURPOSE OR USE, MERCHANTABILITY, PERFORMANCE, QUALITY OR NON-INFRINGEMENT OF ANY INTELLECTUAL PROPERTY RIGHT; ALL SUCH WARRANTIES ARE HEREBY EXPRESSLY DISCLAIMED. SKYWORKS DOES NOT WARRANT THE ACCURACY OR COMPLETENESS OF THE INFORMATION, TEXT, GRAPHICS OR OTHER ITEMS CONTAINED WITHIN THESE MATERIALS. SKYWORKS SHALL NOT BE LIABLE FOR ANY DAMAGES, INCLUDING BUT NOT LIMITED TO ANY SPECIAL, INDIRECT, INCIDENTAL, STATUTORY, OR CONSEQUENTIAL DAMAGES, INCLUDING WITHOUT LIMITATION, LOST REVENUES OR LOST PROFITS THAT MAY RESULT FROM THE USE OF THE MATERIALS OR INFORMATION, WHETHER OR NOT THE RECIPIENT OF MATERIALS HAS BEEN ADVISED OF THE POSSIBILITY OF SUCH DAMAGE.

Skyworks products are not intended for use in medical, lifesaving or life-sustaining applications, or other equipment in which the failure of the Skyworks products could lead to personal injury, death, physical or environmental damage. Skyworks customers using or selling Skyworks products for use in such applications do so at their own risk and agree to fully indemnify Skyworks for any damages resulting from such improper use or sale.

Customers are responsible for their products and applications using Skyworks products, which may deviate from published specifications as a result of design defects, errors, or operation of products outside of published parameters or design specifications. Customers should include design and operating safeguards to minimize these and other risks. Skyworks assumes no liability for applications assistance, customer product design, or damage to any equipment resulting from the use of Skyworks products outside of stated published specifications or parameters.

Skyworks and the Skyworks symbol are trademarks or registered trademarks of Skyworks Solutions, Inc., in the United States and other countries. Third-party brands and names are for identification purposes only, and are the property of their respective owners. Additional information, including relevant terms and conditions, posted at www.skyworksinc.com, are incorporated by reference.