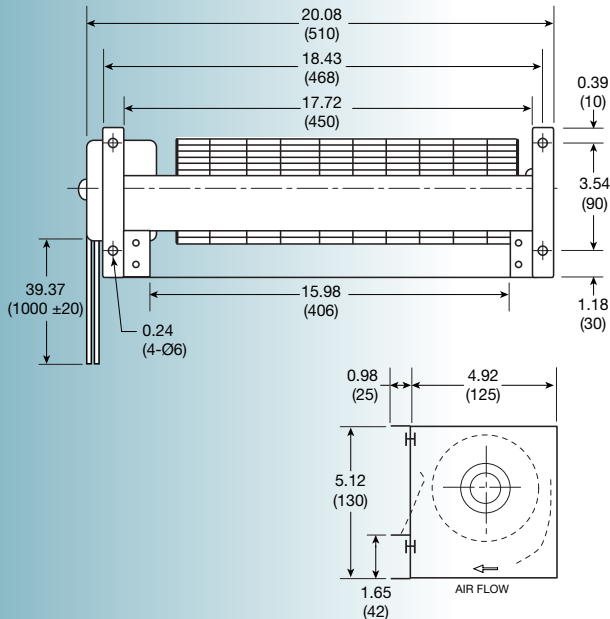
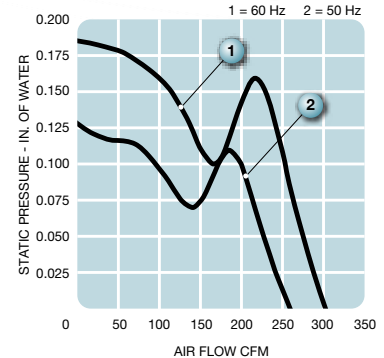


UF9439 series



**Size: (510 mm x 150 mm x 130 mm)
20.08 x 5.91 x 5.12 inches**

- Features:** cross flow blower
- Operating voltage (VAC):** 120 or 230
- Operating temp:** -40° to 70° C
- Construction:** steel frame with plastic impeller
- Bearing option:** ball bearing
- Motor:** permanent split capacitor
- Connection:** 22 AWG lead wires
- Protection:** thermal
- Insulation:** Class B



Model No.	Rated Voltage V	Freq. HZ	Input Power W	Rated Cur. A	Locked Cur. A	Speed RPM	Air Volume		Max. Static Pressure (H ₂ O)		Sound Noise dbA	Weight kg
							M ³ /Min.	CFM	MM	INCH		
UF9439CBP12H-L	120	50	43	0.40	0.60	1400	7.5	265	3.5	0.14	48	3.5
	120	60	50	0.40	0.60	1600	9.0	318	4.5	0.18	53	3.5
UF9439CBP23H-L	230	50	43	0.20	0.31	1400	7.5	265	3.5	0.14	48	3.5
	230	60	50	0.22	0.31	1600	9.0	318	4.5	0.18	53	3.5