

4

3

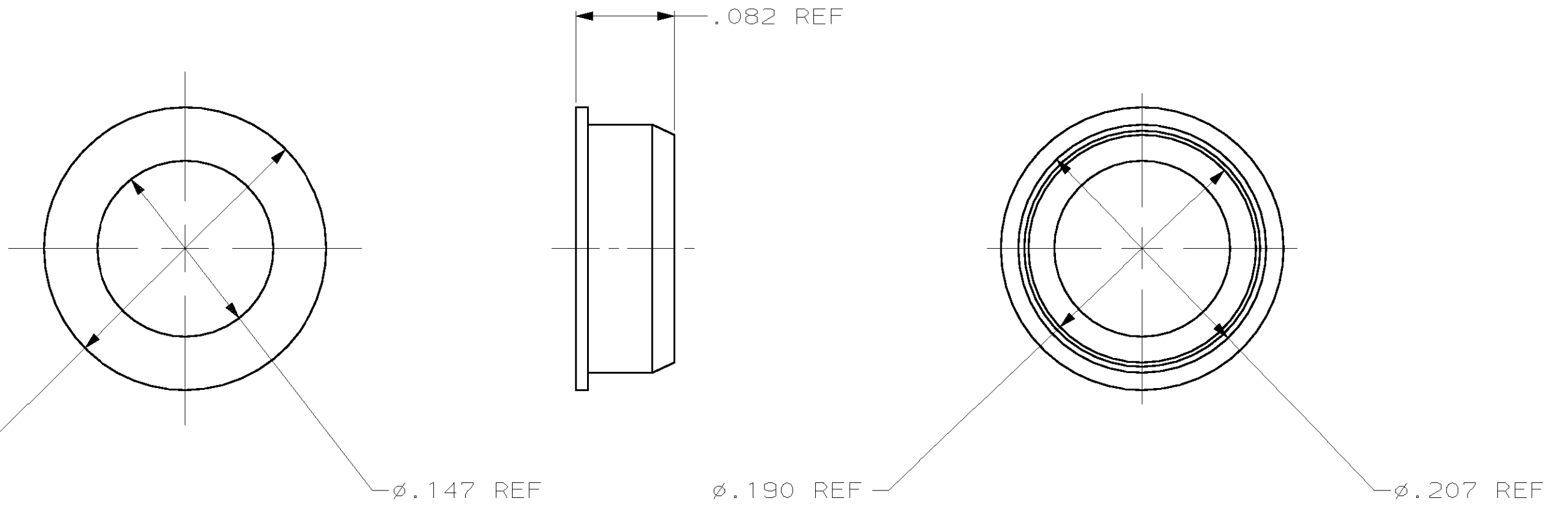
2

1

THIS DRAWING IS UNPUBLISHED. RELEASED FOR PUBLICATION, 19 .
 © COPYRIGHT 19 BY AMP INCORPORATED. ALL RIGHTS RESERVED.

LOC	DIST	REVISIONS			
P	LTR	DESCRIPTION	DATE	DWN	APVD
		0	REV PER 0U20-0169-99	28OCT99	MO KW

1 MATERIAL: NYLON, TYPE 6/6, BLACK



1	228616-1
MATERIAL	PART NUMBER

THIS DRAWING IS A CONTROLLED DOCUMENT.		DWN M. O'BRINE 28OCT99	AMP Incorporated Harrisburg, PA 17105-3608	
DIMENSIONS: INCHES		CHK K. WEIDNER 28OCT99		
TOLERANCES UNLESS OTHERWISE SPECIFIED:		APVD K. WEIDNER 28OCT99	NAME	
0 PLC ±- 1 PLC ±- 2 PLC ±- 3 PLC ±- 4 PLC ±- ANGLES ±-		PRODUCT SPEC	RING, ALIGNMENT, SIZE 8	
MATERIAL -		FINISH -	APPLICATION SPEC	RESTRICTED TO
		WEIGHT -	SIZE A3	CAGE CODE 00779
		CUSTOMER DRAWING	DRAWING NO C- 228616	SCALE 10:1
			SHEET 1 OF 1	REV 0

NOT the LATEST REVISION