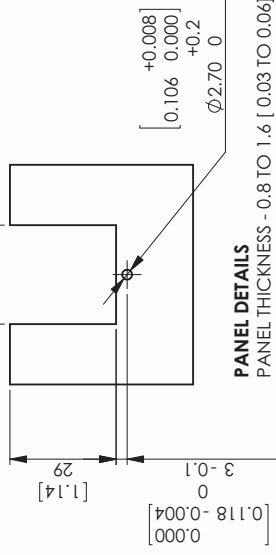
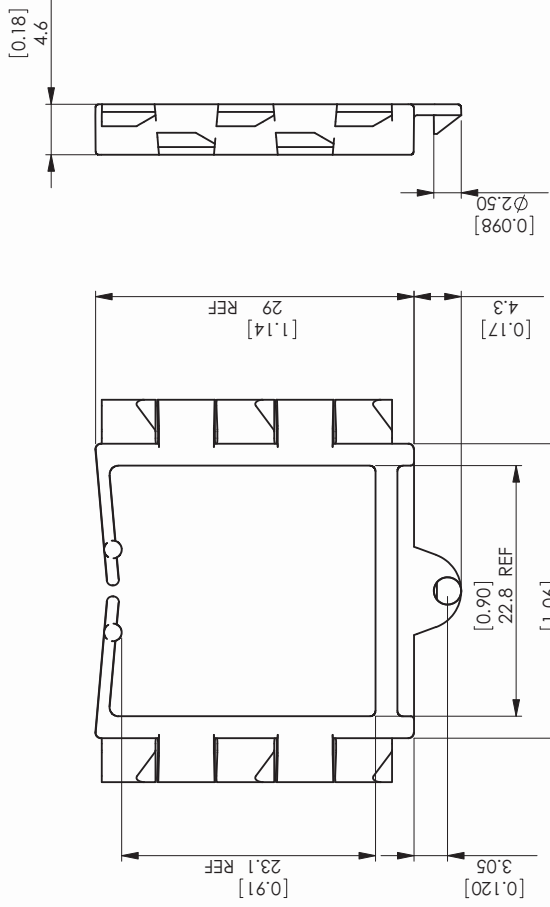
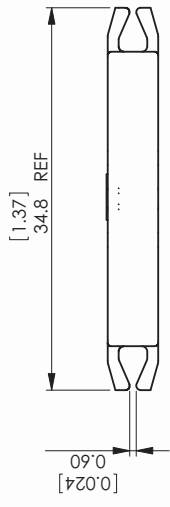
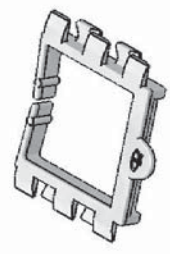


<b>PART NUMBER</b>		<b>MATERIAL</b>		<b>REV.</b>	<b>MODIFICATION.</b>	<b>DATE</b>	<b>DRN</b>
LEWSE-27-01		NYLON 6/6 UL 94 V-2 (RMS-01)		01	SALES RELEASE	25/03/09	TC
				02	CO2010719	18/06/09	SF
				03	CO2010720	19/06/09	SF



**PANEL DETAILS**  
 PANEL THICKNESS - 0.8 TO 1.6 [0.03 TO 0.06]



**NOTES**

- PARTS AVAILABLE IN NYLON 6/6 UL 94 V-0(RMS-19) MATERIAL BY SPECIAL ORDER. USE LEWSE-27-19 TO ORDER.
- PARTS ALSO AVAILABLE IN NYLON 4/6 UL 94 V-2 (RMS-109) MATERIAL BY SPECIAL ORDER. USE LEWSE-27-109 TO ORDER.

ALTERNATE UNITS FOR REFERENCE ONLY

INFORMATION CONTAINED IN THIS DOCUMENT IS CONFIDENTIAL TO RICHCO INTERNATIONAL Co., Ltd. AND MAY NOT BE DISCLOSED OR REPRODUCED IN WHOLE OR PART WITHOUT THEIR WRITTEN CONSENT.

**Richco**  
 ALL DIMENSIONS IN PPM  
 GENERAL TOLERANCES: ±0.25 ANGLE  
 UNLESS OTHERWISE STATED  
 1 DECIMAL PLACE ±  
 2 DECIMAL PLACES ±  
 ANGULAR ±1°

<b>MATERIAL:</b> SEE TABLE		<b>COLOUR:</b> NATURAL	
<b>DESCRIPTION:</b> EDGE WIRE SADDLE		<b>PART NO.:</b> SEE TABLE	
<b>DRG No.:</b> 09-029	<b>NPR No.:</b> DE08-0120	<b>SHEET SIZE:</b> A4	<b>SHEET No.:</b> 1 OF 1
<b>DRN</b> PH	<b>DATE</b> 08/01/09	<b>CHKD</b> TC	<b>DATE</b> 25/03/09