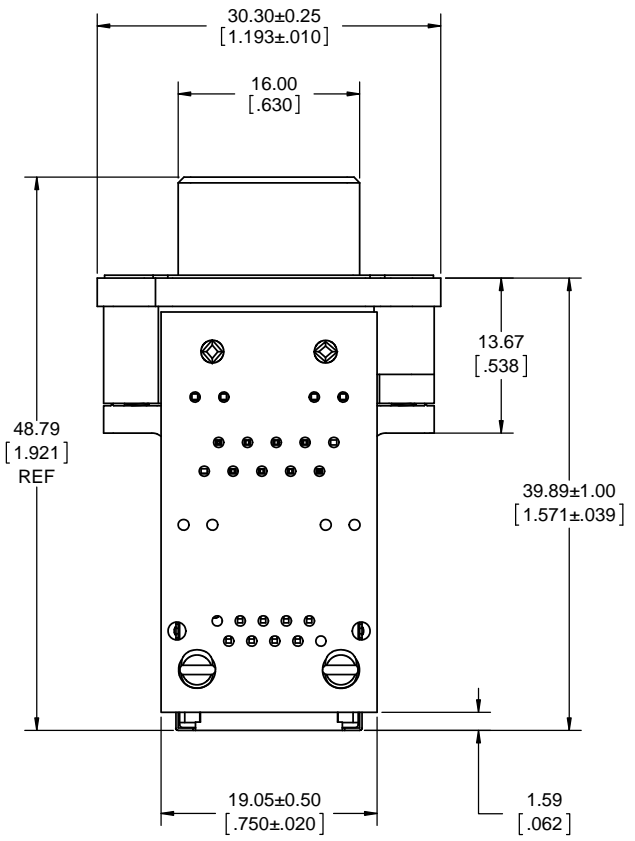
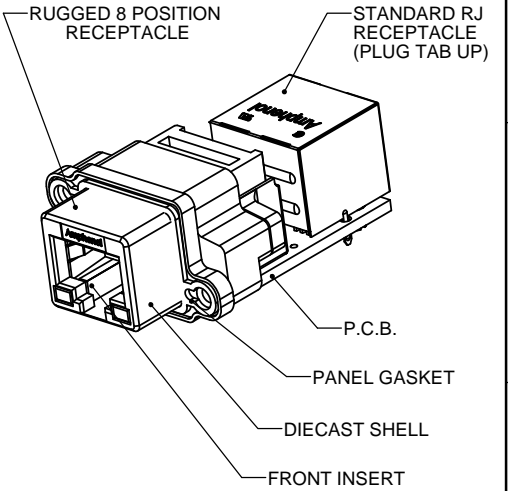
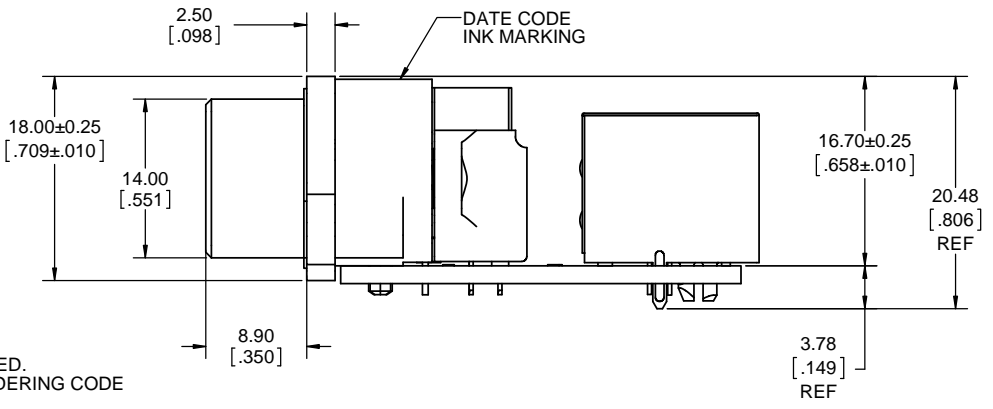
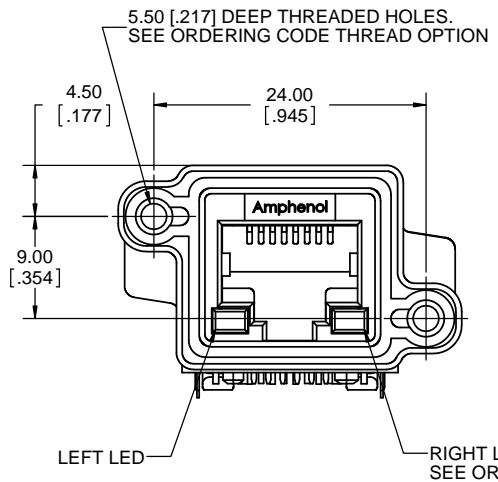


REVISIONS			
REV	DESCRIPTION, ECN, EAR NO.	DATE	APP'D
B	PRODUCT DRAWING (EAR 14296)	JUL24/14	K.L.
C	PRODUCT DRAWING (EAR 14379)	JUN29/15	K.L.



ORDERING CODE: MRJR-578X-X1

SERIES, RUGGED RJ

RECEPTACLE, RIGHT ANGLE, ON PCB WITH STANDARD RJ, 8 CONTACTS

LED OPTION:
 0 = NONE
 1 = LEFT GREEN, RIGHT YELLOW
 4 = LEFT YELLOW, RIGHT GREEN
 5 = LEFT GREEN, RIGHT GREEN

MOUNTING HOLE THREAD OPTION:
 0 = #4-40 UNC THREAD
 M = M3 X 0.5 THREAD

SINGLE PORT

SPECIAL CONNECTORS
 MANY UNIQUE FEATURES ARE READILY AVAILABLE TO SUIT CUSTOMER REQUIREMENTS. CONSULT WITH AMPHENOL CANADA FOR DETAILS.

NOTES:

- MATERIAL:** ALL MATERIALS ARE RoHS COMPLIANT PER EU DIRECTIVE 2011/65/EU AND AMENDMENTS
 - SHELL - DIECAST ZINC, NICKEL PLATED
 - CONTACTS - PHOSPHOR BRONZE WITH 1.27µm [50µ"] GOLD OVER 1.27µm [50µ"] MINIMUM NICKEL ON THE MATING AREA AND MATTE TIN OVER NICKEL ON THE CONTACT TAILS.
 - INSERTS - ENGINEERING THERMOPLASTIC, UL94V-0 FLAMMABILITY RATING,
 - REAR INSERTS: BLACK NYLON, FRONT INSERT: CLEAR POLYCARBONATE
 - PANEL GASKET - CONDUCTIVE SILICONE RUBBER, BLACK
 - LED'S - EPOXY LENS, STEEL TAILS WITH TIN PLATING
 - PCB - FR-4 FIBERGLASS, LEAD FREE, UL94V-0 FLAMMABILITY RATING.
 - STANDARD RJ RECEPTACLE: AMPHENOL P/N RJHSE-5F80, PHOSPHOR BRONZE CONTACTS WITH 1.27µm [50µ"], GOLD OVER NICKEL ON MATING AREA, BLACK NYLON INSERT AND COPPER ALLOY SHIELD WITH NICKEL PLATING
- ENVIRONMENTAL PERFORMANCE PER IEC 60529 CODE IP67 FOR SEAL BETWEEN MATING AREA AND PCB SIDE OF CONNECTOR. GASKET PROVIDES SEAL TO INSIDE FACE OF PANEL.
- CURRENT RATING: 1.5 AMPERES
- CONTACT RESISTANCE: 80 MILLIOHMS MAXIMUM (SUBJECT TO VERIFICATION)
- OPERATING TEMPERATURE: -40C TO +105C
- LED CHARACTERISTICS: FORWARD DC CURRENT 25 mA MAX, FORWARD VOLTAGE 2.5V MAX. @ 2 mA
- AVAILABLE MATING AREA COVERS PROVIDE ADDED PROTECTION. CONSULT WITH AMPHENOL CANADA FOR DETAILS.
- CUSTOMER TO VERIFY THAT ALL PROCESS CLEANERS ARE COMPATIBLE WITH POLYCARBONATE MATERIAL.



UNLESS SPECIFIED OTHERWISE	DRAWN	D.WENG	JAN04/13
PRIMARY UNITS MILLIMETERS	CHECKED		
SECONDARY UNITS INCHES	M.E. APP'D		
REFERENCE IN PARENTHESES	Q.A. APP'D		
GENERAL TOLERANCES	DWG APPR.	K.LAMBIE	JAN07/13
1 DECIMAL PLACE	ENG. REL. NO.	EAR 14150	
2 DECIMAL PLACES ±0.15	REF.		
3 DECIMAL PLACES	THIRD ANGLE PROJECTION		
ANGULAR DEGREES	DO NOT SCALE DRAWING		

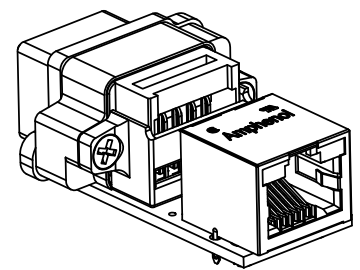
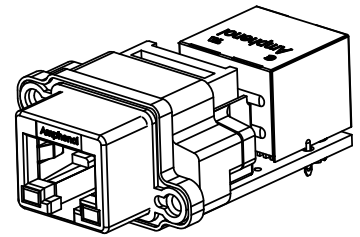
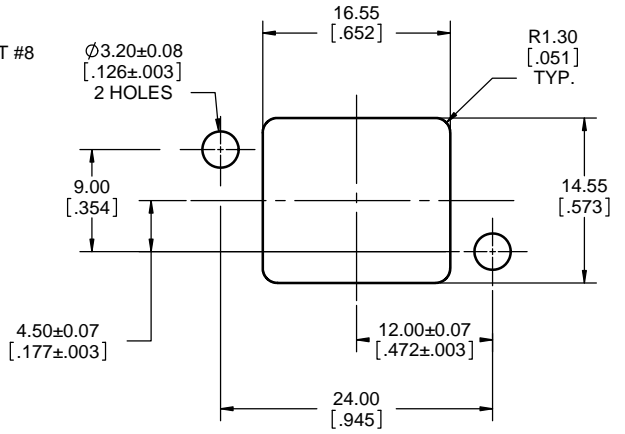
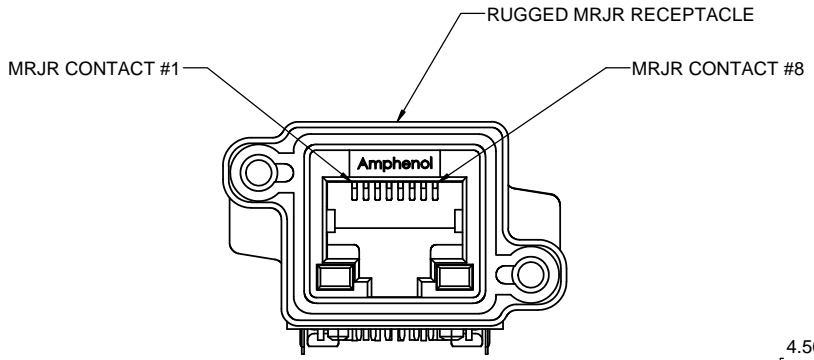
Amphenol Canada Corp.
 www.amphenolcanada.com

MRJR SERIES RUGGED MODULAR JACK, RIGHT ANGLE, ON PCB WITH STANDARD RJ, 8 CONTACTS, LED & THREAD OPTIONS, ROHS COMPLIANT

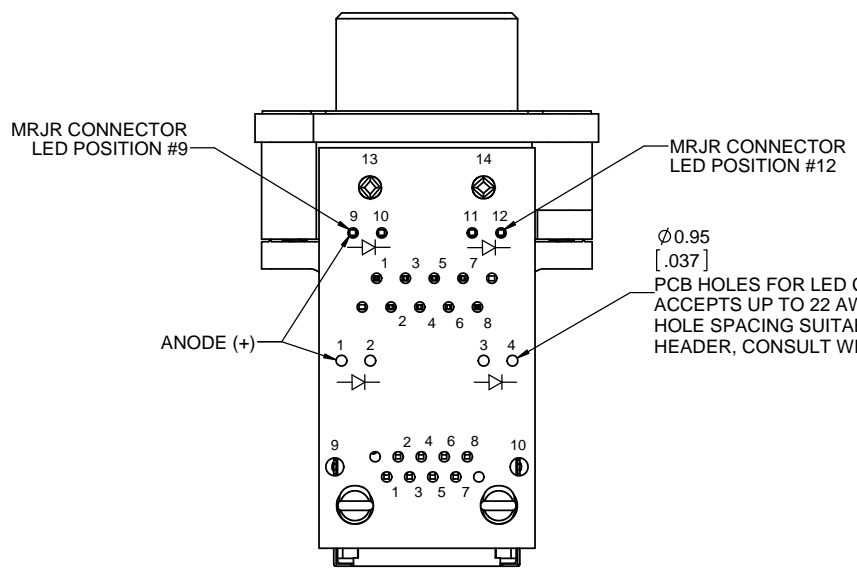
DWG. NO. **P-MRJR-578X-X1** REV **C**

CODE ID NO. 03554 DWG SIZE: X SCALE: 3:1 SHEET 1 OF 2

REVISIONS			
REV	DESCRIPTION, ECN, EAR NO.	DATE	APP'D
B	PRODUCT DRAWING (EAR 14296)	JUL24/14	K.L.
C	PRODUCT DRAWING (EAR 14379)	JUN29/15	K.L.

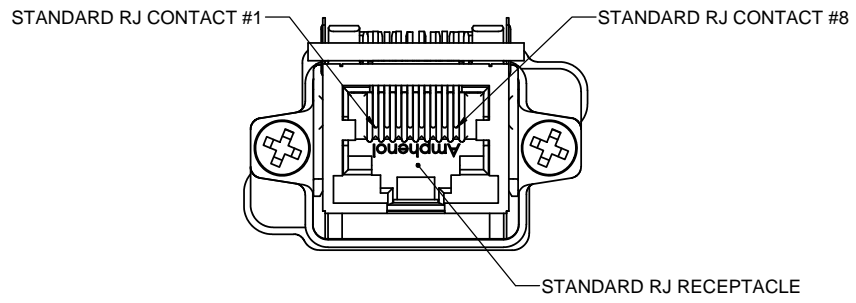


**RECOMMENDED PANEL CUTOUT
OUTSIDE PANEL VIEW**



RUGGED MRJR TO STANDARD RJ CONNECTIONS

MRJR CONTACT	STANDARD RJ CONTACT
1	1
2	2
3	3
4	4
5	5
6	6
7	7
8	8
MRJR GROUND	RJ GROUND
13 & 14	9 & 10
MRJR LED	PCB HOLE
9	1
10	2
11	3
12	4



UNLESS SPECIFIED OTHERWISE	DRAWN	D.WENG	JAN04/13
PRIMARY UNITS MILLIMETERS	CHECKED		
SECONDARY UNITS INCHES	M.E. APP'D		
REFERENCE IN PARENTHESES	Q.A. APP'D		
GENERAL TOLERANCES	DWG APPR.	K.LAMBIE	JAN07/13
1 DECIMAL PLACE	ENG. REL. NO.	EAR 14150	
2 DECIMAL PLACES ±0.15	REF.		
3 DECIMAL PLACES	THIRD ANGLE PROJECTION		
ANGULAR DEGREES	DO NOT SCALE DRAWING		

Amphenol Canada Corp.
www.amphenolcanada.com

MRJR SERIES RUGGED MODULAR JACK, RIGHT ANGLE, ON PCB WITH STANDARD RJ, 8 CONTACTS, LED & THREAD OPTIONS, ROHS COMPLIANT

DWG. NO. **P-MRJR-578X-X1** REV **C**

CODE ID NO. 03554 DWG SIZE: X SCALE: 3:1 SHEET 2 OF 2